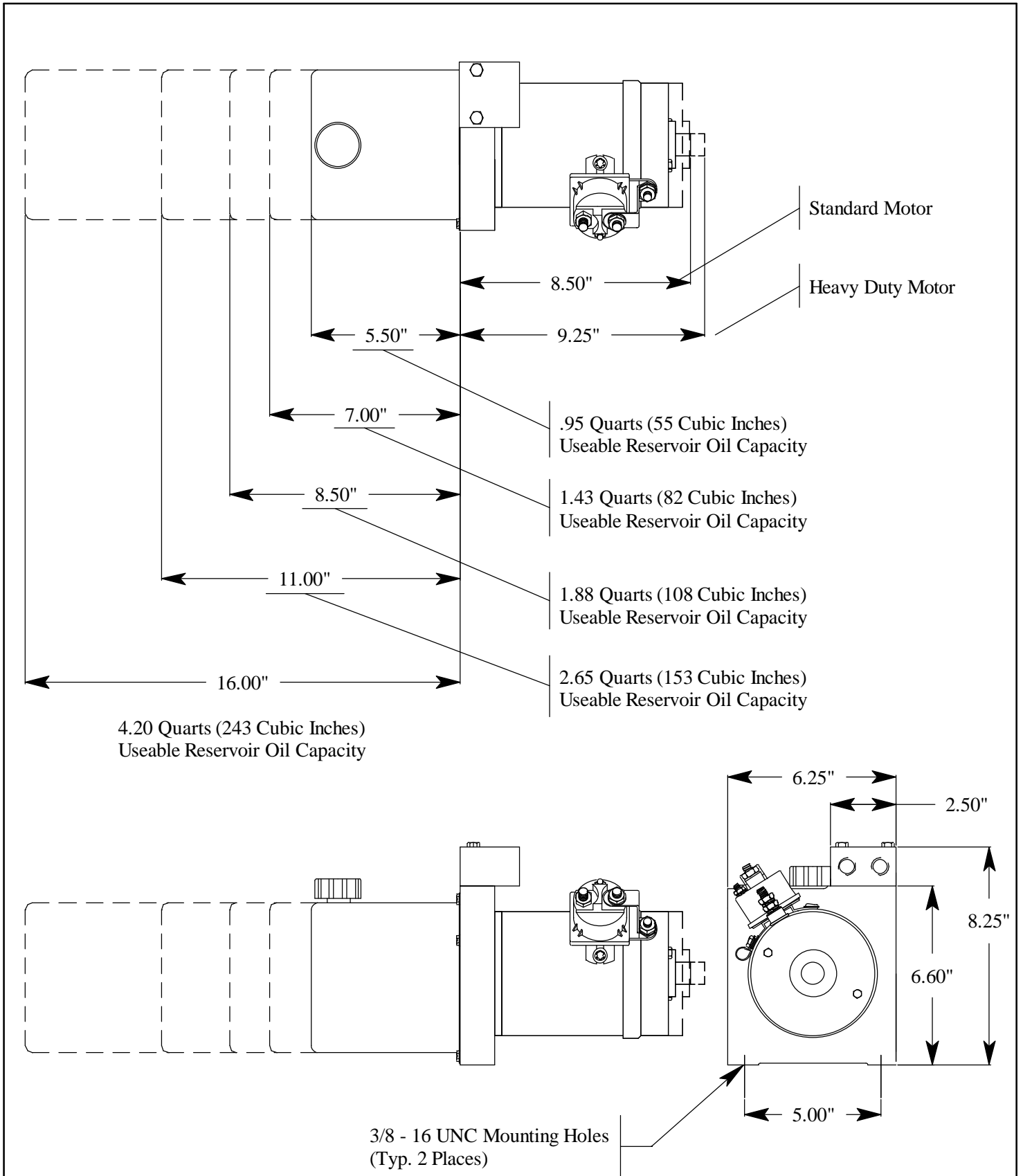


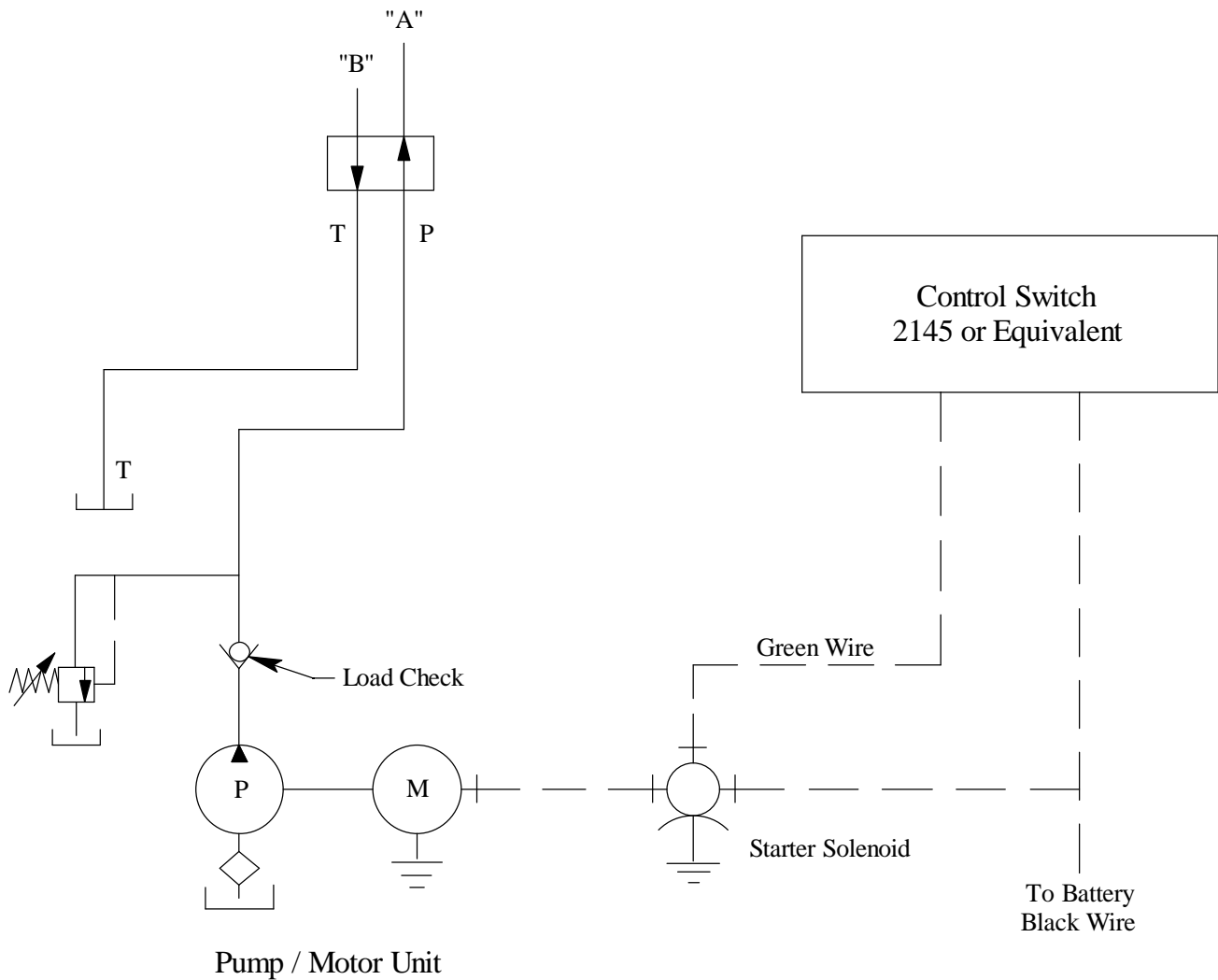
#2 Port Block Valves, 3/8" NPT Ports – DC Unit Layout



Description :

12 Volt DC Piston/Gear Pump Unit with Port Block only (For Use with Auxilliary or Remotely Mounted Valves). Use Switch Corresponding to Valve/Valves Used.

#2 Port Block Valves, 3/8" NPT Ports – Schematic



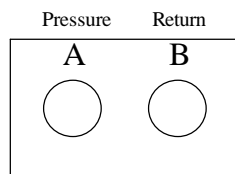
System Function

Energizing Power, oil is directed to Port "A" and oil from Port "B" is directed back to tank ("T" Port).

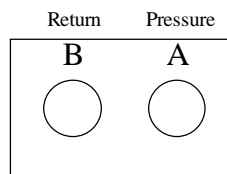
Limitations

1. For use with auxilliary or remote mounted valves.

Configurations



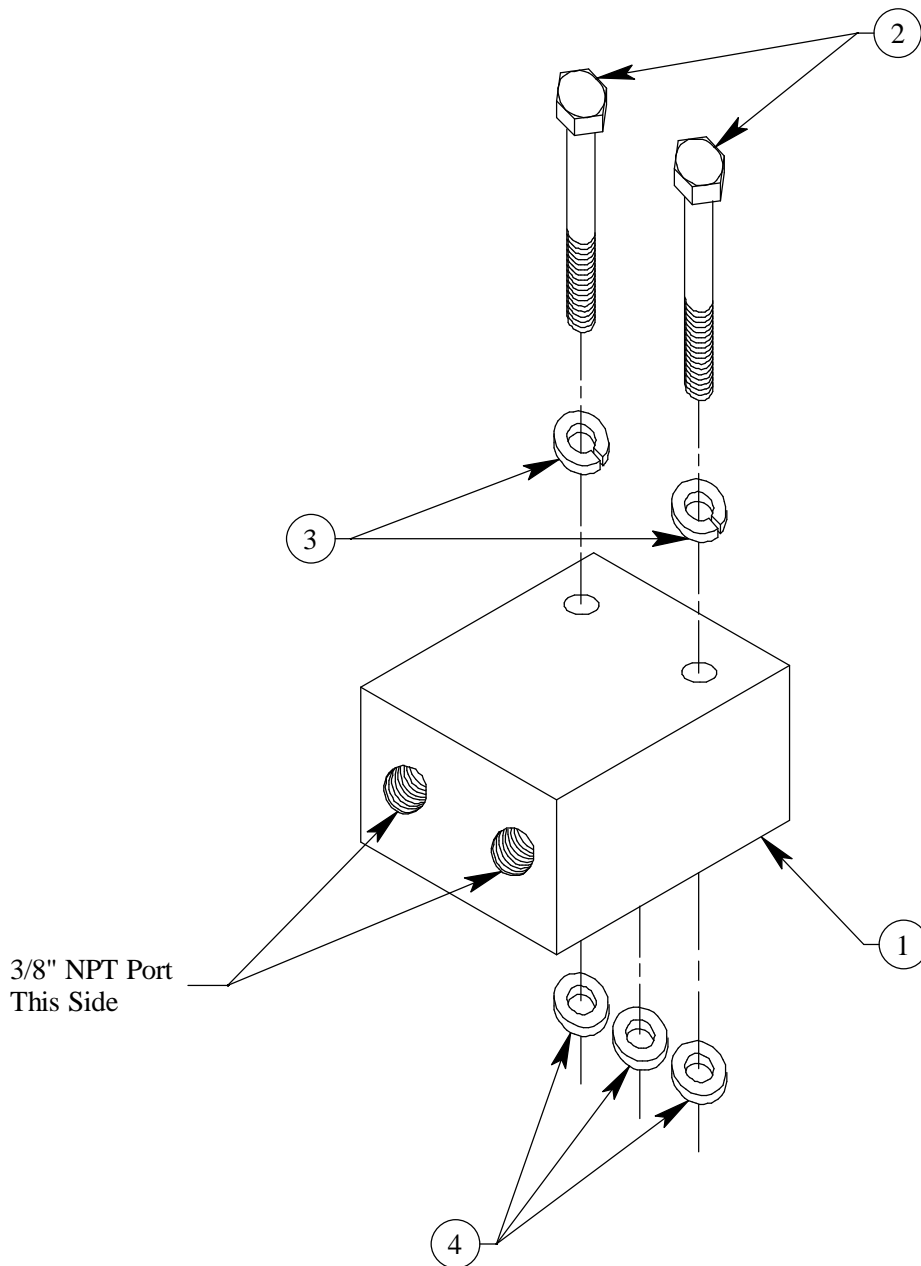
Facing Motor



Facing Tank

#2 Port Block Valves, 3/8" NPT Ports – Assembly

2443



Note: Torque Valve Bolts to 108 in./lbs.

Drawing No.	Part No.	Quantity Req'd	Part Description
1	1821	1	Block, Port
2	1774	2	Cap Screw, 1/4" - 20 UNC x 2" Long, Grade 5
3	1290	2	Washer, Lock (1/4" I.D.)
4	1606	3	O - Ring, #2 - 010 Valve Seal