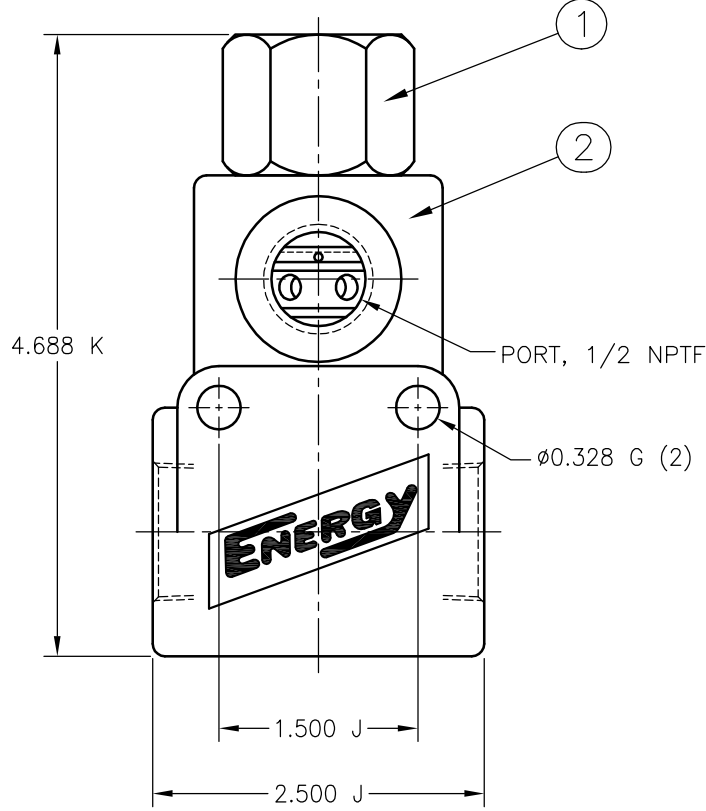
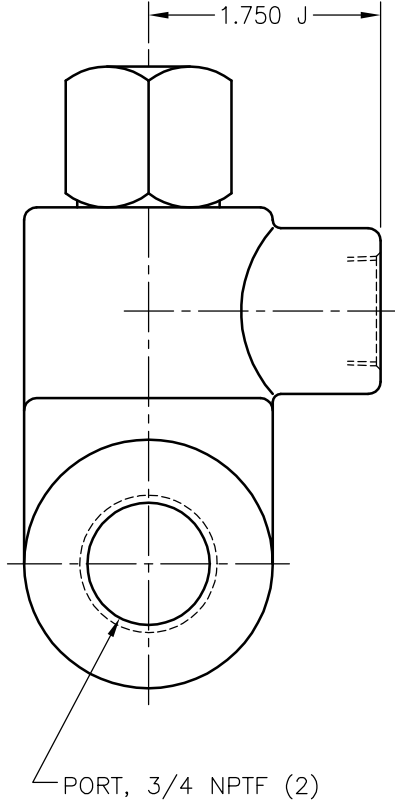


PRESSURE RANGE
500-3000 PSI



PRESSURE SETTING: APPROXIMATELY 2,000 PST AT 10 GPM.
UNLESS OTHERWISE SPECIFIED.

FLOW CAPACITY: 30 GPM MAX.

Weight:

DO NOT SCALE PRINT
UNLESS OTHERWISE SPECIFIED Letters after dimensions defines tolerances as follows:
A +/- 0.00015
B +/- 0.0003
C +/- 0.0005
D +/- 0.001
E +/- 0.002
F +/- 0.005
G +/- 0.010
H +/- 0.020
J +/- 0.030
K +/- 0.060
L +/- 0.125
Angle +/- 2'

THIS DRAWING AND ALL INFORMATION CONTAINED ON IT IS THE PROPERTY OF ENERGY MFG. CO., INC. AND IS LOANED CONFIDENTIALLY AND MUST NOT BE USED OR DISCLOSED DIRECTLY OR INDIRECTLY IN ANY WAY DETRIMENTAL TO OUR INTERESTS.

08	REDRAWN IN AUTO-CAD	3-29-11	RG/ENG
No.	Revision	Date	Appr. By
ENERGY MFG. CO., INC. 204 Plastic Lane, Monticello, IA 52310			
Title: VALVE, RELIEF MODEL LF-200			
Scale:	Dwg. No.:	Rev:	
1:1	A-1168	08	

THIRD ANGLE PROJECTION

Material:

Ht. Treat:
Finish:

Drawn by: J.R.H.
Date: 7-22-69
Checked by: