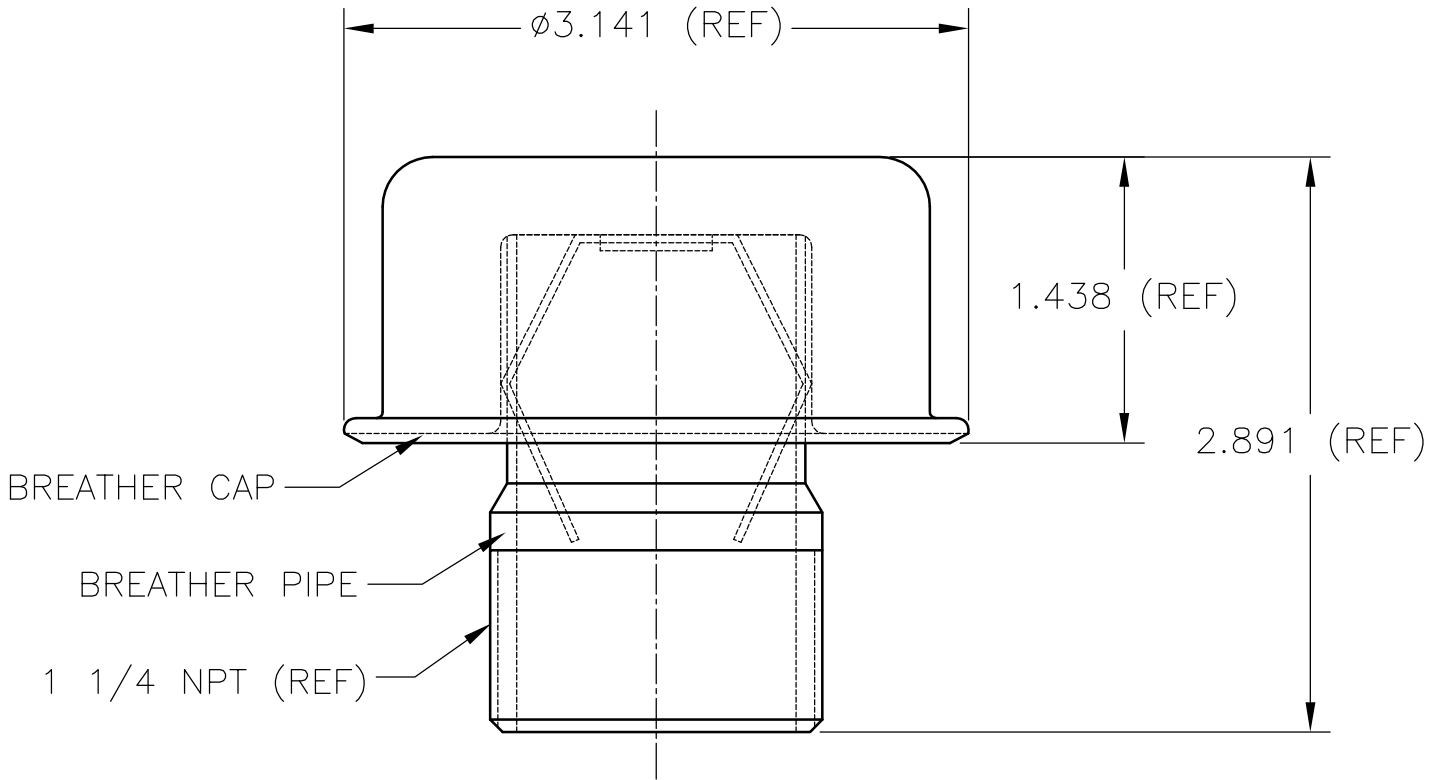


MODEL TB-125 TANK BREATHER ASSEMBLY

(1) 0A002252 BREATHER PIPE

(1) 0A001153 BREATHER CAP



DO NOT SCALE PRINT

UNLESS OTHERWISE SPECIFIED

Letters after dimensions defines tolerances as follows:

A +/- 0.00015	G +/- 0.010
B +/- 0.0003	H +/- 0.020
C +/- 0.0005	J +/- 0.030
D +/- 0.001	K +/- 0.060
E +/- 0.002	L +/- 0.125
F +/- 0.005	Angle +/- 2'

Weight:

THIS DRAWING AND ALL INFORMATION CONTAINED ON IT IS THE PROPERTY OF ENERGY MFG. CO., INC. AND IS LOANED CONFIDENTIALLY AND MUST NOT BE USED OR DISCLOSED DIRECTLY OR INDIRECTLY IN ANY WAY DETRIMENTAL TO OUR INTERESTS.

THIRD ANGLE PROJECTION

ISSUE DRAWING

12.08.10 PD/ENG

No.

Revision

Date

Appr. By

Material:

**ENERGY MFG. CO., INC.**

204 Plastic Lane, Monticello, IA 52310

HT. Treat:  
Finish:

Title: TANK BREATHER ASSEMBLY

Drawn by:  
P.D.

Date:

Checked by:

Scale:

1:1

Dwg. No.:

0A002256

Rev: