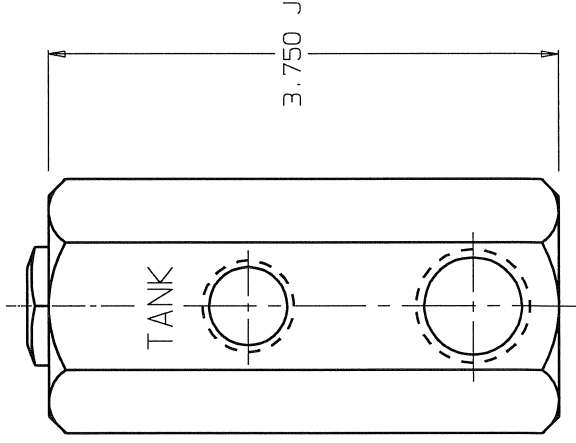
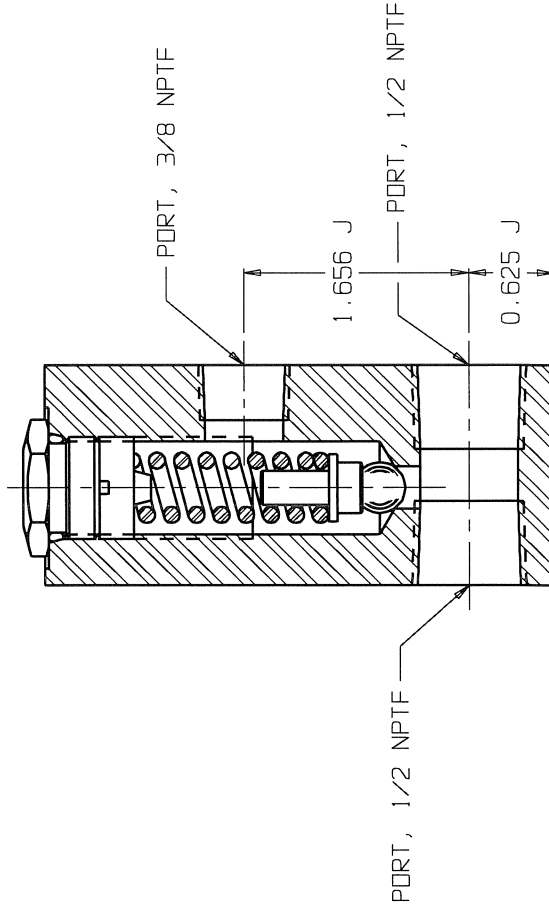


PRESSURE ADJUSTMENT FROM
700 TO 3,000 PSI DEPENDING
ON FLOW

FLOW CAPACITY: 20 GPM MAX.

PRESSURE SETTING: 2,000 ± 50 PSI
AT 10 GPM USING 164 SSU OIL AT
90 - 110° F

OUTSIDE SURFACE ZINC PLATED



DO NOT SCALE PRINT

UNLESS OTHERWISE SPECIFIED
tolerances as follows:

A +/- 0.00015	G +/- 0.010
B +/- 0.0003	H +/- 0.020
C +/- 0.0005	J +/- 0.030
D +/- 0.001	K +/- 0.060
E +/- 0.002	L +/- 0.125
F +/- 0.005	Angle +/- 2°

ALL DRAWINGS AND BLUEPRINTS SUPPLIED BY ENERGY MANUFACTURING CO. ARE SUBJECT TO PROTECTION UNDER
THE UNITED STATES COPYRIGHT LAW, WHICH MAKING OTHER TOPINGS, PERHAPS REPRODUCTION, DERIVATION OR
DISTRIBUTION OF COPIES, THE DRAWINGS CONTAIN TRADE SECRETS OF ENERGY MANUFACTURING CO. AND ARE
SUPPLIED TO THE VENDOR OR CUSTOMER ON A CONFIDENTIAL BASIS AND SHALL NOT BE DISCLOSED OR DISTRIBUTED
TO OTHERS WITHOUT THE PRIOR EXPRESS WRITTEN PERMISSION OF ENERGY MANUFACTURING CO.
ENERGY MANUFACTURING CO. ACCEPTS NO LIABILITY FOR THE NEED FOR SUCH MATERIALS AS ENDED, OR UPON THE EARLIER
DEMAND FOR THE RETURN OF THE MATERIALS BY ENERGY MANUFACTURING CO.

Material:	Third Angle Projection.	No.	Revision	Date	Appr. By
-----------	-------------------------	-----	----------	------	----------

ENERGY MFG. CO., INC.

Title: RELIEF VALVE - 1/2 NPTF

Scale: 1:1

Checked by: P. D.

0A004060