

**0C000909 4-WAY CLOSED CENTER HYDRAULIC
DIRECTIONAL CONTROL VALVE**

ENERGY[®]
Manufacturing Company, Inc.

ENERGY MANUFACTURING CO., INC.
204 Plastic Lane; Monticello, IA 52310-9472 USA
Phone: (319) 465-3537 Fax: (319) 465-5279

website: www.energymfg.com
e-mail address: info@energymfg.com

**INSTRUCTIONS FOR REPLACING
THE SEALS ON VALVE SPOOL**

1. Remove all parts from both ends of valve.
2. Remove valve spool from valve body and remove seal retainer, back-up washer, O-ring at each end of valve body.
3. Replace valve spool into housing.
4. Install new O-ring seal, back-up washer, and old seal retainer in each end of valve body.
5. Reassemble per pictorial of valve and parts list.



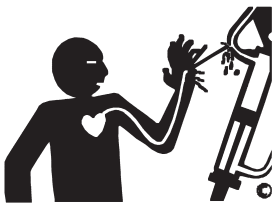

CAUTION: CONTAMINATION – *Energy* strongly recommends the use of a hydraulic filter in your system to reduce the risk of malfunction due to contamination. The clearance between the valve spool and body are very small, and contamination may bind the spool or damage parts from scoring.



WARNING: LOAD LIFTING – The valve does not contain load check valves, and therefore should not be used in lifting applications unless some other means of holding the load is provided.



WARNING: Do not modify any parts of this valve. ***SERIOUS INJURY COULD RESULT IF VALVE FUNCTION IS ALTERED.***

	 WARNING
	DO NOT GO NEAR LEAKS <ul style="list-style-type: none">• High pressure oil easily punctures skin causing serious injury, gangrene or death.• If injured, seek emergency medical help. Immediate surgery is required to remove oil.• Do not use finger or skin to check for leaks.• Lower load or relieve hydraulic pressure before loosening fittings.



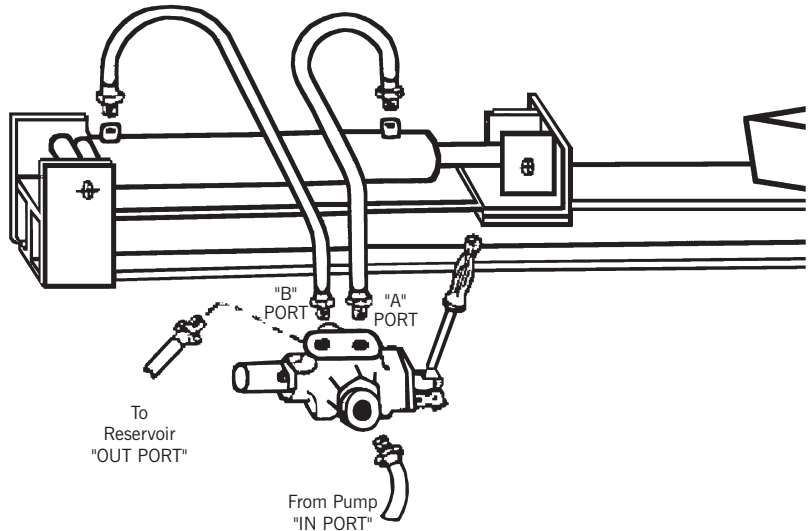
WARNING: If the valve spool binds and will not move freely – ***DISCONTINUE USE.***



WARNING: Do not use these valves in applications where property damage or personal injury may result from a lack of positive control. There are no check valves to prevent load dropping while changing spool positions or to prevent slow drift of a cylinder or motor.

**INSTRUCTION SHEET, ASSEMBLY DRAWING AND PARTS LIST
HYDRAULIC VALVE
MODEL 0C000909 (DSCVAC-200)**

4-way control valve designed to operate a two-way hydraulic circuit from a single hydraulic source with a closed center system. Pull handle out to extend cylinder. Handle is spring loaded, will return to neutral when released. Push handle in to retract and the detent will hold the handle position.



INSTALLATION



WARNING: Before installing product, read and understand all warnings, safety labels, and instructions. Failure to do so could result in Serious Injury!

1. Install lever as shown in drawing.
2. Mount valve using 3/8"-16 NC tapped holes in the base of valve.
CAUTION: Mounting valve to uneven mounting plate may cause the valve body to distort and the valve spool to bind. Move the control lever during the tightening procedure to assure that the valve spool does not lock or bind as a result of the tightening. Exerting heavy pressure on the control lever should be avoided as it may cause valve damage. **IF THE VALVE SPOOL BINDS IN ANY WAY OR REFUSES TO RETURN TO NEUTRAL WITH THE SPRING WHEN THE LEVER IS RELEASED, DISCONTINUE USE AND CALL FACTORY.**
3. Make port connections as shown in drawing. (NOTE: We do not recommend the use of Teflon tape because of potential contamination to the hydraulic system.) **CAUTION:** Excess tightening of the port fittings may cause the valve body to distort and the valve spool to bind. Move the control lever during the tightening procedure to assure the valve spool does not lock or bind as a result of the tightening. **IF THE VALVE SPOOL BINDS IN ANY WAY OR REFUSES TO RETURN TO NEUTRAL WITH THE SPRING WHEN THE LEVER IS RELEASED, DISCONTINUE USE AND CALL FACTORY.**
4. CONTROL LEVER LOCATION: The control valve is designed so that the lever may be located on the opposite end of the valve if desired. To do this, please proceed as follows:
 - (a) Remove all parts from both ends of valve.
 - (b) Push valve spool out of valve body and remove seal retainer, back-up washer and O-ring at each end of valve body.
 - (c) Turn valve spool end-for-end and replace in valve body.
 - (d) Install O-ring, back-up washer and seal retainer in end of valve body.
 - (e) Reassemble per pictorial of valve and parts list.

ASSEMBLY DRAWING AND PARTS LIST

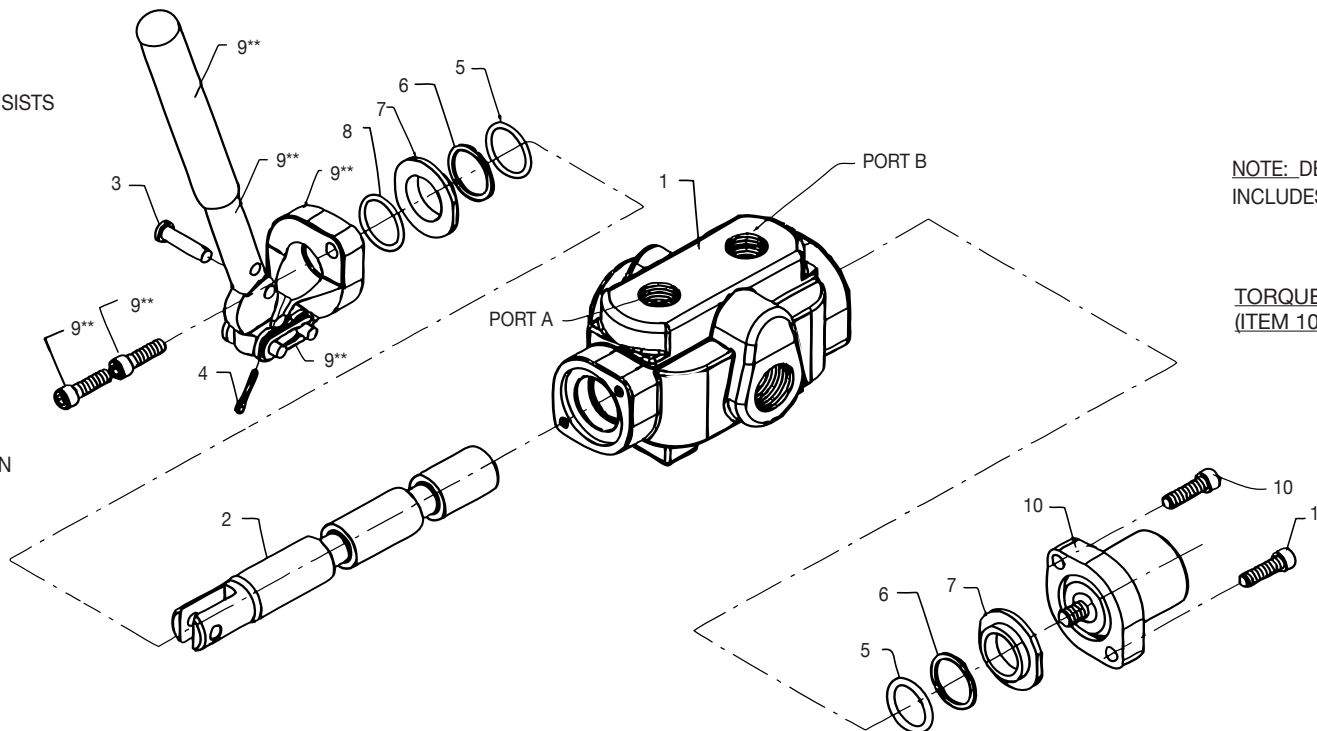


Energy Mfg. Co., Inc.
 204 Plastic Lane; Monticello, IA 52310-9472 USA
 Phone: (319) 465-3537 Fax: (319) 465-5279

0C000909 HYDRAULIC CONTROL VALVE (DSCVAC - 200 4-WAY CLOSED CENTER)
 website: www.energymfg.com
 e-mail address: info@energymfg.com

NOTE: CONTROL LEVER ASSEMBLY CONSISTS OF THE ITEMS MARKED WITH **

TORQUE MOUNTING SCREWS (ITEM 9) TO 70-90 IN-LBS.



NOTE: DETENT COVER ASSEMBLY INCLUDES SCREWS AND O-RING

TORQUE MOUNTING SCREWS (ITEM 10) TO 70-90 IN-LBS.

NOTE: SEPARATE EARS ON COTTER PIN (ITEM 4) AFTER INSTALLING

ITEM NO.	PART NO.	NAME	QTY.
1	0C000699	CONTROL VALVE BODY (1/2 NPTF CYLINDER PORTS)	1
2	0B003448	VALVE SPOOL.....	1
3	00080409	CLEVIS PIN	1
4	00080414	COTTER PIN	1
5	00080311	O-RING.....	2
6	00082131	BACK-UP RING	2
7	0A004912	SEAL RETAINER.....	2
8	00080311	O-RING (Optional)	1
9	0A002851	CONTROL LEVER ASSEMBLY	1
		CONSISTS OF:	
		0B005146 HANDLE	1
		0A002900 GRIP	1
		00082832 CHAIN LINK	1
		26264B CONTROL LEVER BRACKET AND SCREWS.....	1
10	36561B	DETENT COVER ASSEMBLY WITH SCREWS.....	1
-	0A000487	SEAL KIT (CONTAINS ALL SEALS USED IN VALVE)	