

ASSEMBLY DRAWINGS AND PARTS LISTS



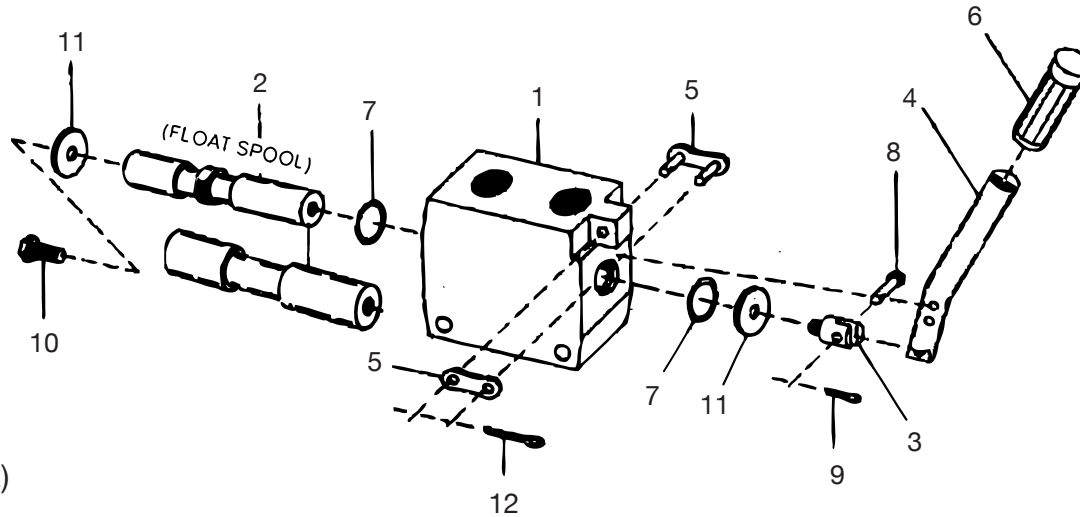
Energy Mfg. Co., Inc.
 204 Plastic Lane; Monticello, IA 52310-9472 USA
 Phone: (319) 465-3537 Fax: (319) 465-5279

SELECTOR VALVES
0B001180, 0B001239 & 32098C
 website: www.energymfg.com
 e-mail address: info@energymfg.com

MODEL 0B001180 – 3-WAY, 2 POSITION, DETENTED SELECTOR VALVE WITH FLOAT CONTROL AND HANDLE OPERATOR (3/4" NPTF PORTS)

MODEL 0B001239 – 3-WAY, 2 POSITION, DETENTED DIRECTIONAL CONTROL SELECTOR VALVE WITH HANDLE OPERATOR (3/4" NPTF PORTS)

MODEL 32098C – 3-WAY, 2 POSITION, DETENTED DIRECTIONAL CONTROL SELECTOR VALVE WITH HANDLE OPERATOR (1-1/16"-12 UN [SAE #12] PORTS)



MAXIMUM OPERATING
 PRESSURE 3000 PSIG (207 BAR)

ITEM NO.	PART NO.	DESCRIPTION	QUANTITY PER VALVE
*1	0B001177	Selector Valve Body (3/4" NPTF ports for float control).....	1
	0B001177	Selector Valve Body (3/4" NPTF ports for directional control)	1
	32116B	Selector Valve Body (#12 SAE ports for directional control).....	1
*2	0A003301	Float Spool.....	1
	0A003300	Directional Control Spool.....	1
3	0A003134	Spool Clevis.....	1
4	0A003299	Control Lever.....	1
5	0A002901	Chain Link.....	1
6	15725A	Grip.....	1
7	00080316	O-Ring.....	2
8	00080409	Clevis Pin.....	1
9	00080414	Cotter Pin.....	1
10	00080796	Screw.....	1
11	0A003346	Washer.....	2
12	00080413	Cotter Pin.....	1

* NOTE: Valve Body & Spool are to be Ordered Together as they are "SELECT FITTED"

ASSEMBLY DRAWINGS AND PARTS LISTS



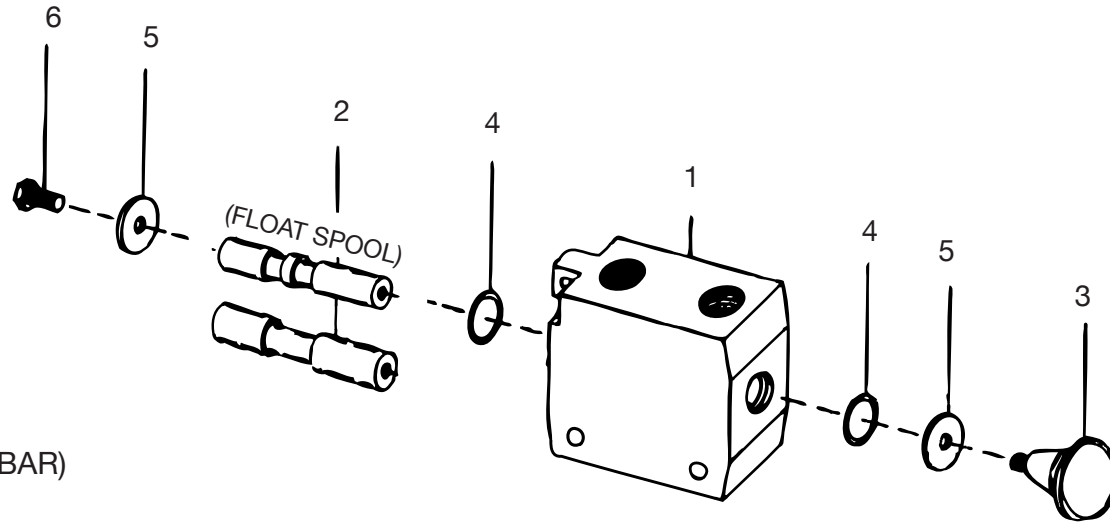
Energy Mfg. Co., Inc.
 204 Plastic Lane; Monticello, IA 52310-9472 USA
 Phone: (319) 465-3537 Fax: (319) 465-5279

SELECTOR VALVES
0B001395, 0B001252 & 40440B
 website: www.energymfg.com
 e-mail address: info@energymfg.com

MODEL 0B001395 – 3-WAY, 2 POSITION, DETENTED SELECTOR VALVE WITH FLOAT CONTROL AND KNOB OPERATOR (3/4” NPTF PORTS)

MODEL 0B001252 – 3-WAY, 2 POSITION, DETENTED DIRECTIONAL CONTROL SELECTOR VALVE WITH KNOB OPERATOR (3/4” NPTF PORTS)

MODEL 40440B – 3-WAY, 2 POSITION, DETENTED DIRECTIONAL CONTROL SELECTOR VALVE WITH KNOB OPERATOR (1-1/16”-12 UN [SAE #12] PORTS)



MAXIMUM OPERATING
 PRESSURE 3000 PSIG (207 BAR)

ITEM NO.	PART NO.	DESCRIPTION	QUANTITY PER VALVE
*1	0B001177	Selector Valve Body (3/4” NPTF Ports)	1
	32116B	Selector Valve Body (SAE #12 Ports)	1
*2	0A003301	Float Spool.....	1
	0A003300	Spool	1
3	0A003298	Knob.....	1
4	00080316	O-Ring.....	2
5	0A003346	Washer	2
6	00080796	Screw	1

• NOTE: Valve Body & Spool are to be Ordered Together as they are “SELECT FITTED”