



**Energy Mfg. Co., Inc.**  
 204 Plastic Lane; Monticello, IA 52310-9472 USA  
 Phone: (319) 465-3537 Fax: (319) 465-5279

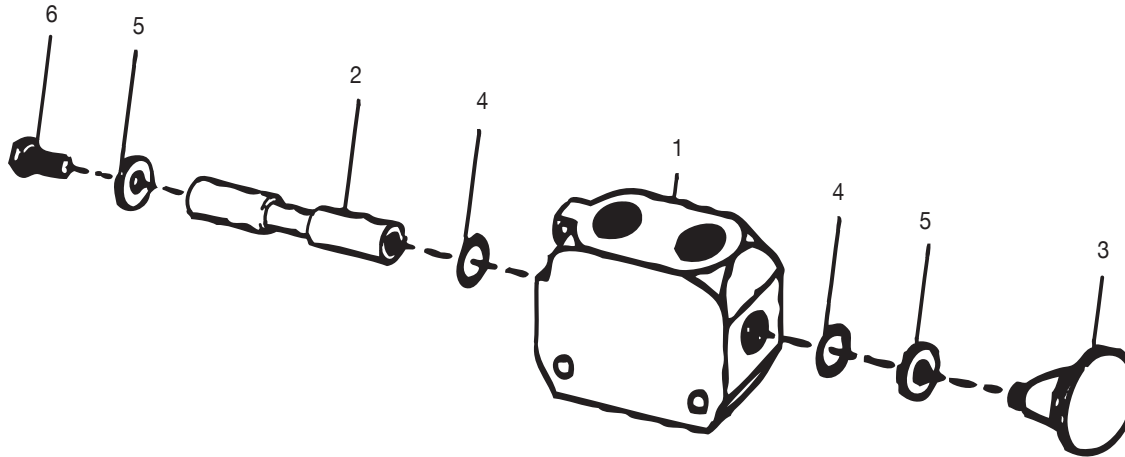
**ASSEMBLY DRAWINGS AND PARTS LISTS**

**SELECTOR VALVES**  
**0B001152, 0B001153 & 0B001138**  
 website: www.energymfg.com  
 e-mail address: info@energymfg.com

**0B001152**

**TWO-POSITION, THREE-WAY, DETENTED SELECTOR DIRECTIONAL CONTROL VALVE WITH KNOB OPERATOR**

*Maximum Operating Pressure 3000 PSIG (207 Bar)*



<u>REF. NO.</u>	<u>PART NO.</u>	<u>DESCRIPTION</u>	<u>QUANTITY PER VALVE</u>
*1	0B001151	SELECTOR VALVE BODY .....	1
*2	0A003136	SELECTOR VALVE SPOOL, DIRECTIONAL CONTROL .....	1
3	0A003298	KNOB .....	1
4	00080306	O-RING.....	2
5	00081968	WASHER .....	2
6	00080796	SCREW.....	1

REF: 3-WAY, 2-POSITION, 1/2" NPTF PORTS

\* NOTE: Valve body and spool are to be ordered together as they are "SELECT FITTED"

## ASSEMBLY DRAWINGS AND PARTS LISTS



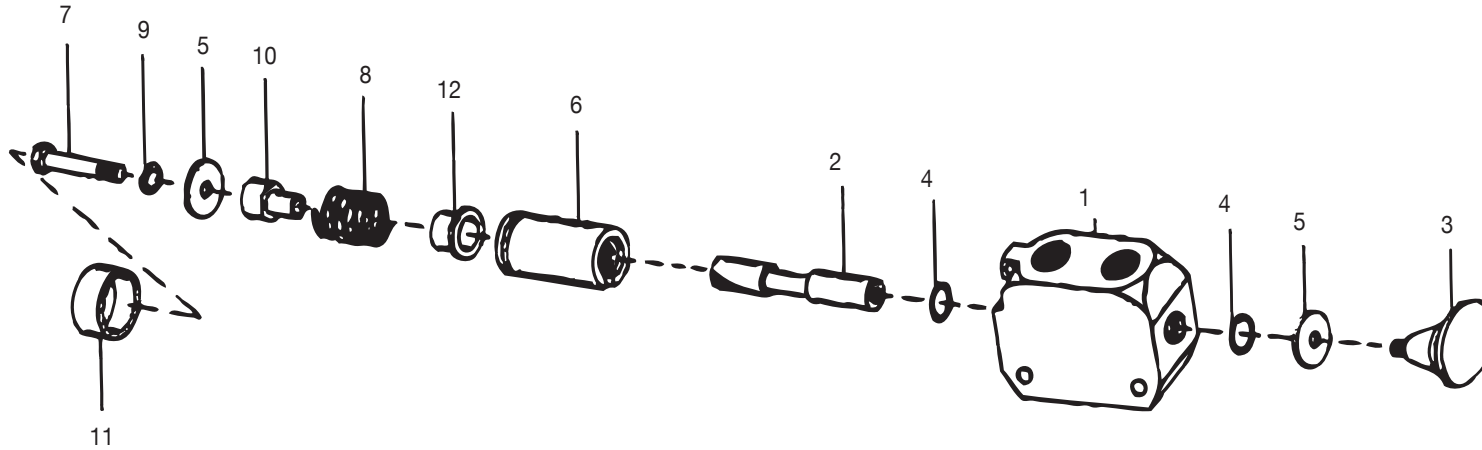
**Energy Mfg. Co., Inc.**  
 204 Plastic Lane; Monticello, IA 52310-9472 USA  
 Phone: (319) 465-3537 Fax: (319) 465-5279

**SELECTOR VALVES**  
**0B001152, 0B001153 & 0B001138**  
 website: www.energymfg.com  
 e-mail address: info@energymfg.com

### 0B001153

## TWO-POSITION, THREE-WAY, SPRING RETURN DIRECTIONAL CONTROL SELECTOR VALVE WITH KNOB OPERATOR

**Maximum Operating Pressure 3000 PSIG (207 Bar)**



ITEM NO.	PART NO.	DESCRIPTION	QUANTITY PER VALVE
*1	0B001151	SELECTOR VALVE BODY .....	1
*2	0A003136	SELECTOR VALVE SPOOL, DIRECTIONAL CONTROL.....	1
3	0A003298	KNOB .....	1
4	00080306	O-RING.....	2
5	0A003346	WASHER .....	2
6	0A003549	SPRING COVER.....	1
7	00083174	SCREW.....	1
8	0A003410	SPRING, VALVE SPOOL.....	1
9	00081531	LOCK WASHER .....	1
10	0A001445	SPACER .....	1
11	00081638	TUBE CAP.....	1
12	0A002680	SPOOL STOP.....	1

REF: 3-WAY, 2-POSITION, SPRING RETURN, 1/2" NPTF PORTS.

\* NOTE: Valve body and spool are to be ordered together as they are "SELECT FITTED"

# ASSEMBLY DRAWINGS AND PARTS LISTS



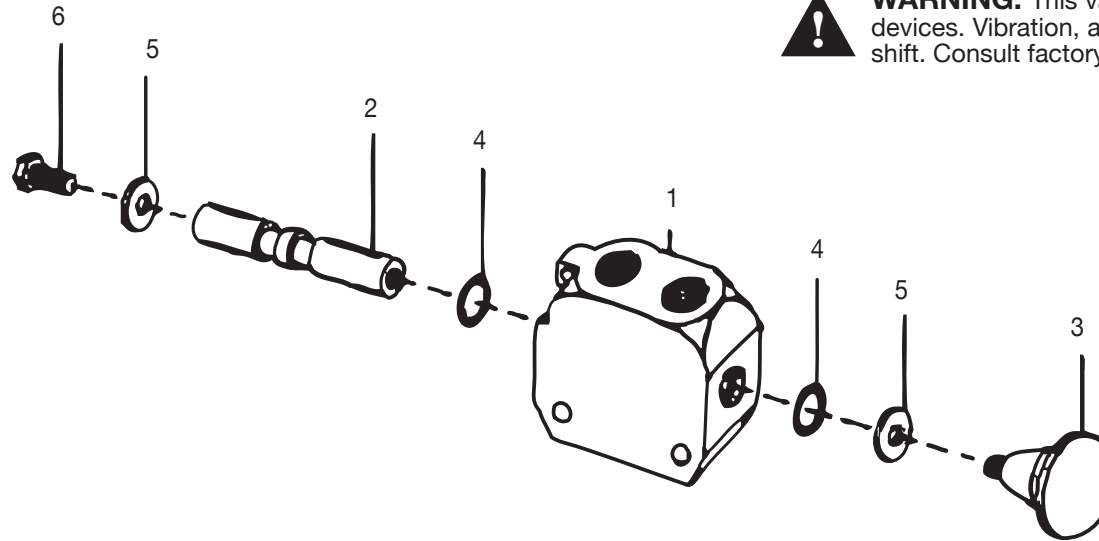
Energy Mfg. Co., Inc.  
 204 Plastic Lane; Monticello, IA 52310-9472 USA  
 Phone: (319) 465-3537 Fax: (319) 465-5279

**SELECTOR VALVES**  
**OB001152, OB001153 & OB001138**  
 website: www.energymfg.com  
 e-mail address: info@energymfg.com

## OB001138

### TWO-POSITION, THREE-WAY, DETENTED SELECTOR VALVE FOR FLOAT CONTROL WITH KNOB OPERATOR

*Maximum Operating Pressure 3000 PSIG (207 Bar)*



**WARNING:** This valve is not equipped with position holding devices. Vibration, age or other factor may cause the valve to shift. Consult factory for application information.

ITEM NO.	PART NO.	DESCRIPTION	QUANTITY PER VALVE
*1	OB001151	SELECTOR VALVE BODY .....	1
*2	0A003101	SELECTOR VALVE SPOOL, FLOAT .....	1
3	0A003298	KNOB .....	1
4	00080306	O-RING.....	2
5	00081968	WASHER .....	2
6	00080796	SCREW.....	1
REF: 3-WAY, 2-POSITION, 1/2" NPTF PORTS FOR FLOAT CONTROL FURNISHED NORMALLY CLOSED. TO MAKE NORMALLY OPEN, REVERSE SPOOL ONLY			

\* NOTE: Valve body and spool are to be ordered together as they are "SELECT FITTED"