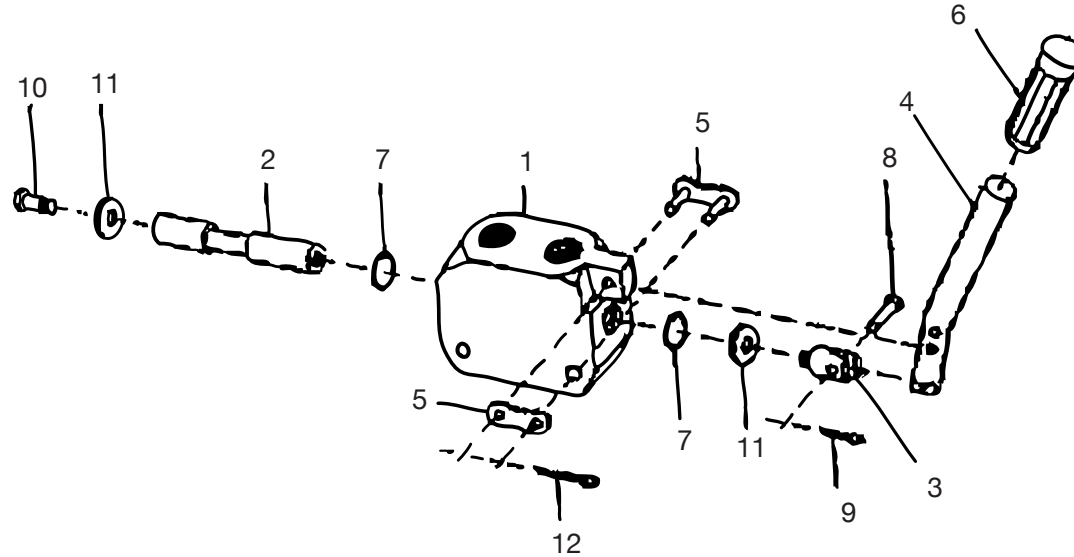


### 0B001155

### TWO-POSITION, THREE-WAY, DETENTED DIRECTIONAL CONTROL SELECTOR VALVE WITH HANDLE OPERATOR MAXIMUM OPERATING PRESSURE 3000 PSI (207 BAR)



REF. NO.	PART NO.	DESCRIPTION	QUANTITY PER VALVE
*1	0B001151	Selector Valve Body.....	1
*2	0A003136	Selector Valve Spool, Directional Control .....	1
3	0A003134	Spool Clevis.....	1
4	0A003299	Control Lever.....	1
5	0A002901	Chain Link.....	1
6	15725A	Grip.....	1
7	00080306	O-Ring.....	2
8	00080409	Clevis Pin .....	1
9	00080414	Cotter Pin.....	1
10	00080796	Cap Screw .....	1
11	00081968	Flat Washer.....	2
12	00080413	Cotter Pin.....	1

REF: 3-Way, 2-Position, 1/2" NPTF Ports

\* NOTE: Valve Body & Spool are to be Ordered Together as they are "SELECT FITTED"

# ASSEMBLY DRAWINGS AND PARTS LISTS

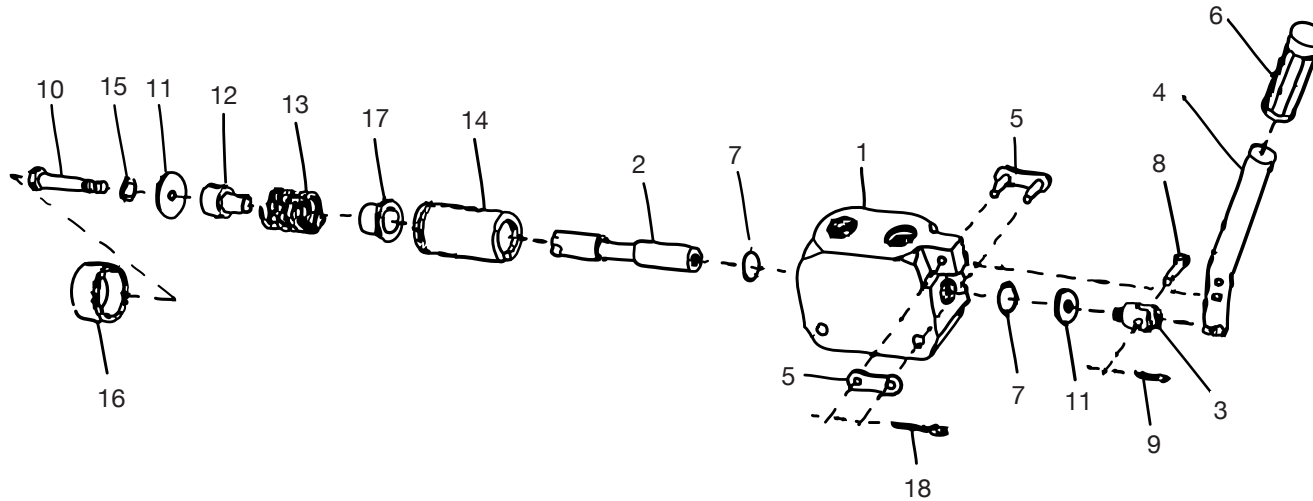


Energy Mfg. Co., Inc.  
 204 Plastic Lane; Monticello, IA 52310-9472 USA  
 Phone: (319) 465-3537 Fax: (319) 465-5279

**SELECTOR VALVES**  
**OB001155, OB001156 & OB001157**  
 website: www.energymfg.com  
 e-mail address: info@energymfg.com

## OB001156

**TWO-POSITION, THREE-WAY, SPRING RETURN DIRECTIONAL CONTROL SELECTOR VALVE WITH HANDLE OPERATOR**  
**MAXIMUM OPERATING PRESSURE 3000 PSI (207 BAR)**



REF. NO.	PART NO.	DESCRIPTION	QUANTITY PER VALVE
*1	OB001151	Selector Valve Body.....	1
*2	0A003136	Selector Valve Spool, Directional Control .....	1
3	0A003134	Spool Clevis.....	1
4	0A003299	Control Lever.....	1
5	0A002901	Chain Link.....	1
6	15725A	Grip.....	1
7	00080306	O-Ring.....	2
8	00080409	Clevis Pin.....	1
9	00080414	Cotter Pin.....	1

ITEM NO.	PART NO.	DESCRIPTION	QUANTITY PER VALVE
10	00083174	Cap Screw .....	1
11	0A003346	Washer .....	2
12	0A001445	Spacer .....	1
13	0A003410	Spring, Valve Spool.....	1
14	0A003549	Spring Cover.....	1
15	00081531	Lock Washer.....	1
16	00081638	Tube Cap.....	1
17	0A002680	Spool Stop .....	1
18	00080413	Cotter Pin.....	1

REF: 3-Way, 2-Position, Spring Return,  
 1/2" NPTF Ports

\* NOTE: Valve Body & Spool are to be Ordered Together as they are "SELECT FITTED"

# ASSEMBLY DRAWINGS AND PARTS LISTS

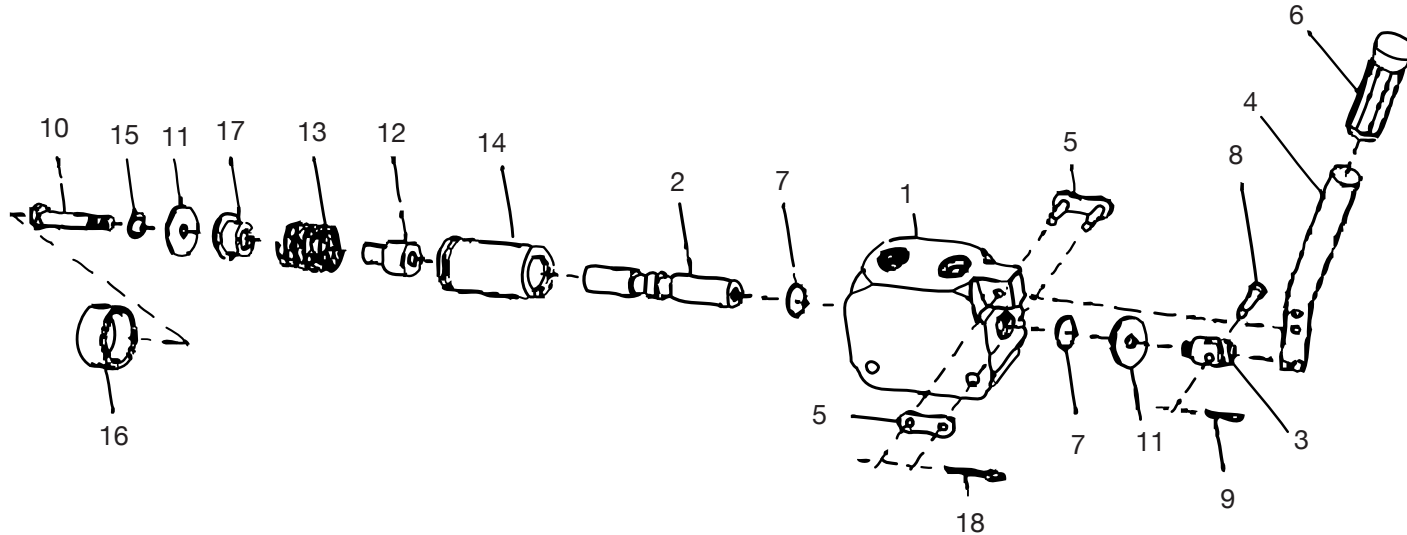


Energy Mfg. Co., Inc.  
204 Plastic Lane; Monticello, IA 52310-9472 USA  
Phone: (319) 465-3537 Fax: (319) 465-5279

**SELECTOR VALVES**  
**0B001155, 0B001156 & 0B001157**  
website: www.energymfg.com  
e-mail address: info@energymfg.com

## 0B001157

**TWO-POSITION, THREE-WAY, SPRING RETURN SELECTOR VALVE FOR FLOAT CONTROL WITH HANDLE OPERATOR**  
**MAXIMUM OPERATING PRESSURE 3000 PSIG (207 BAR)**



REF. NO.	PART NO.	DESCRIPTION	QUANTITY PER VALVE
*1	0B001151	Selector Valve Body.....	1
*2	0A003101	Selector Valve Spool, Float Control .....	1
3	0A003134	Spool Clevis.....	1
4	0A003299	Control Lever.....	1
5	0A002901	Chain Link.....	1
6	15725A	Grip.....	1
7	00080306	O-Ring.....	2
8	00080409	Clevis Pin .....	1
9	00080414	Cotter Pin.....	1

ITEM NO.	PART NO.	DESCRIPTION	QUANTITY PER VALVE
10	00083174	Cap Screw .....	1
11	0A003346	Washer.....	2
12	0A001445	Spacer.....	1
13	0A002676	Spring, Valve Spool.....	1
14	0A003549	Spring Cover.....	1
15	00081531	Lock Washer.....	1
16	00081638	Tube Cap.....	1
17	0A002680	Spool Stop .....	1
18	00080413	Cotter Pin.....	1

REF: 3-Way, 2-Position, Spring Return,  
1/2" NPTF Ports, for Float Control  
*Furnished Normally Closed, to Make Normally Open, Reverse Spool Orientation Only*

\* NOTE: Valve Body & Spool are to be Ordered Together as they are "SELECT FITTED"