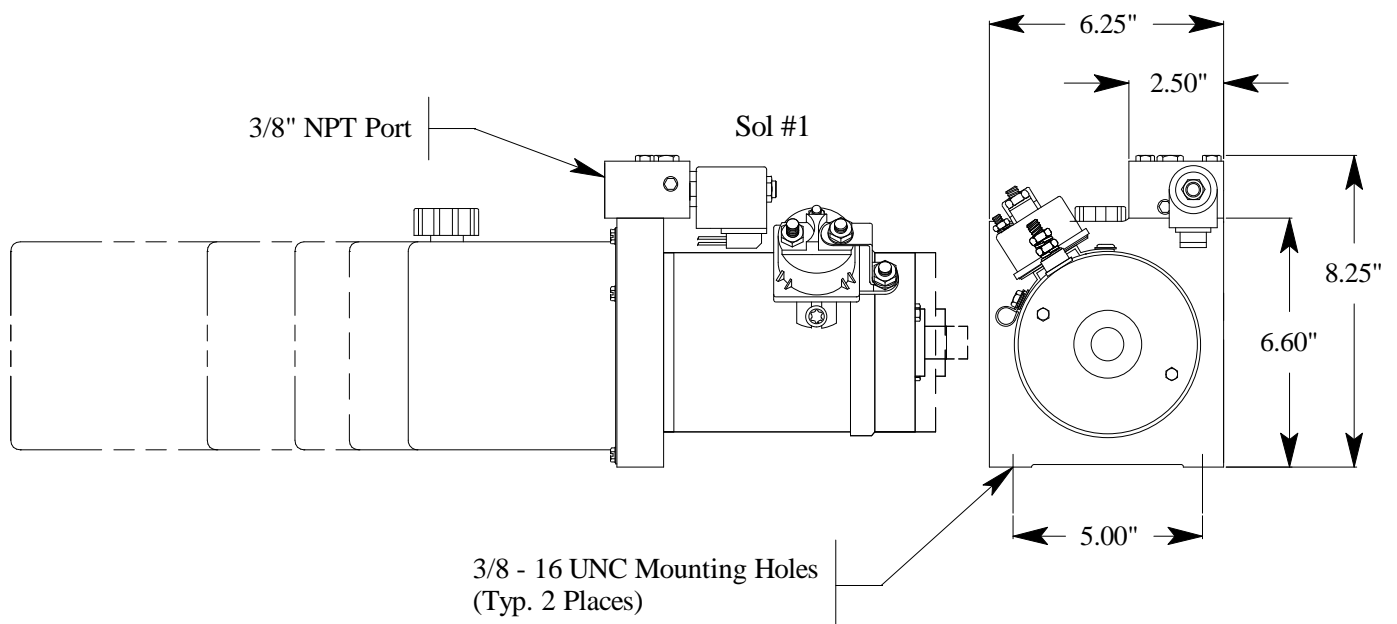
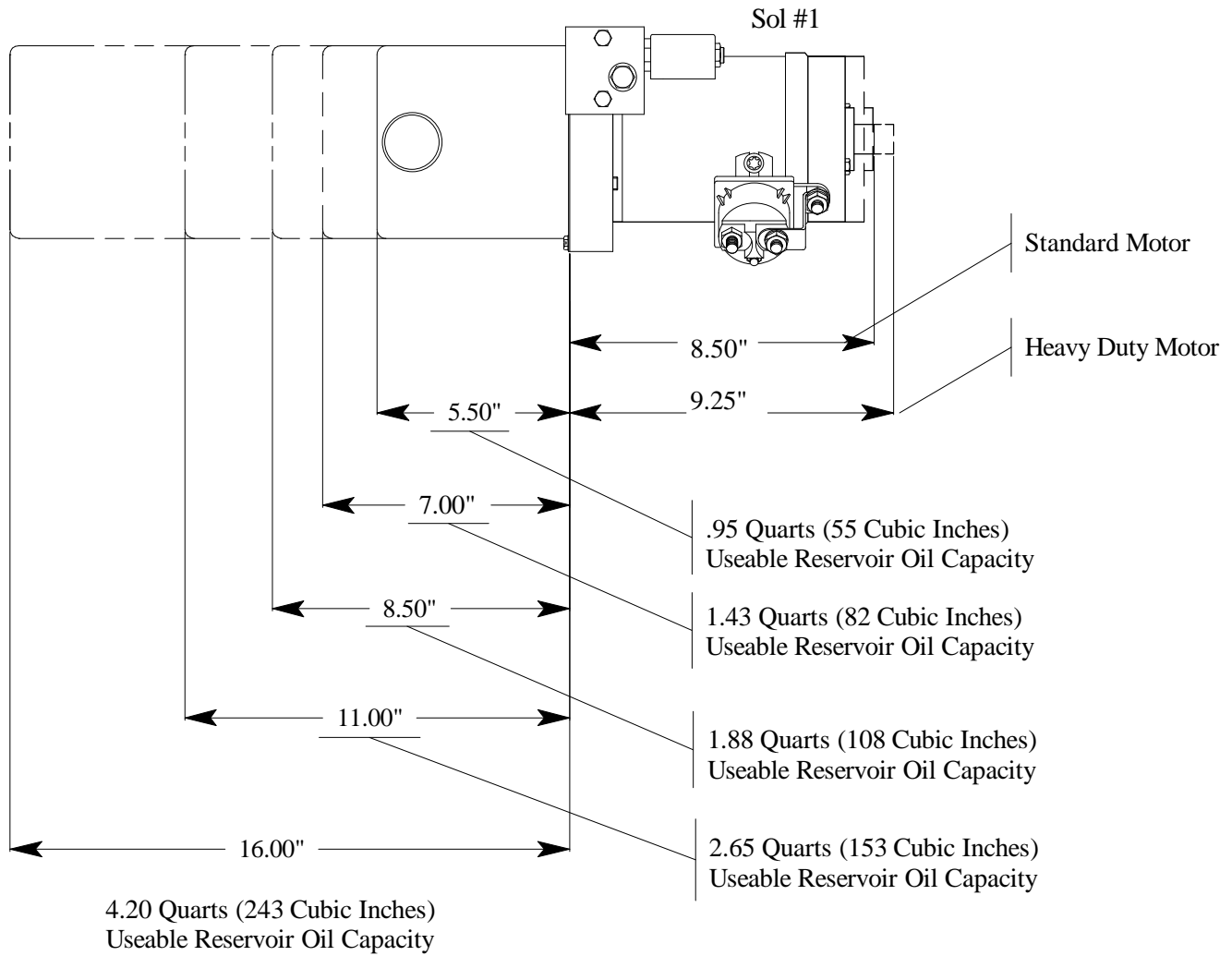
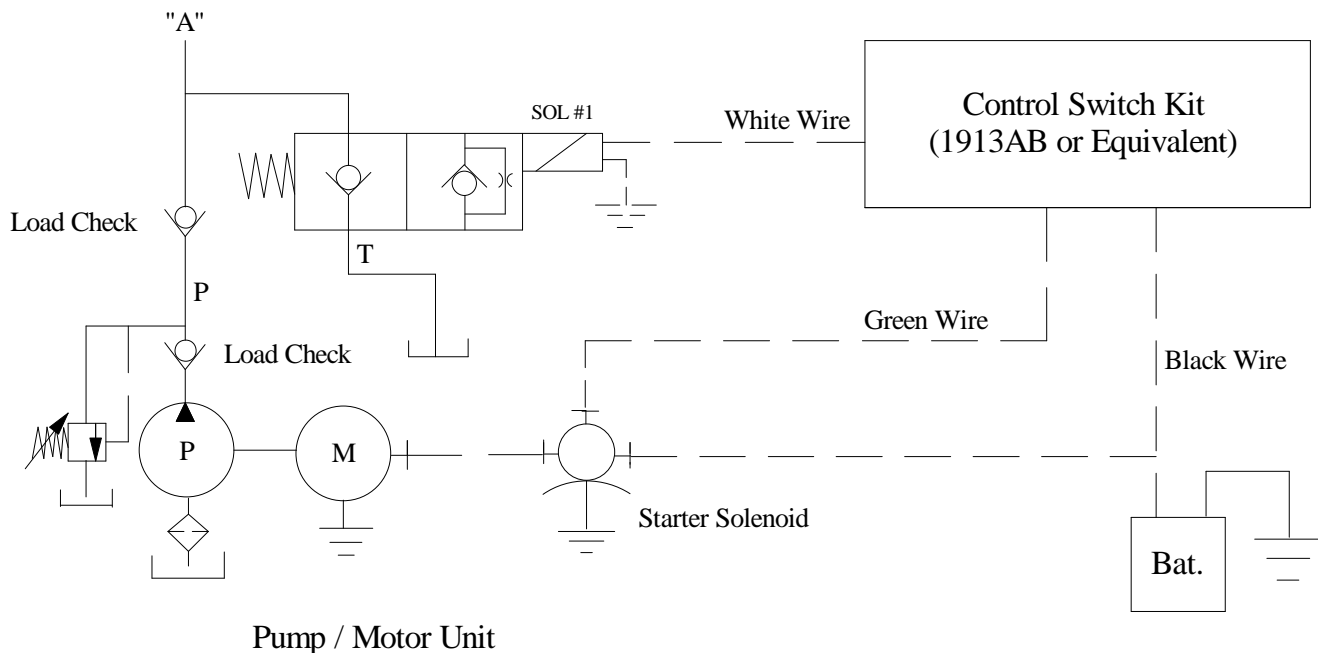


# #13 Single Acting Solenoid Valves, 2-Way, NC Check Valve, 3/8" NPT Ports – DC Unit Layout



Description :  
12 Volt DC Piston/Gear Pump Unit with One Solenoid Operated N/C Check Valve.

# #13 Single Acting Solenoid Valves, 2-Way, NC Check Valve, 3/8" NPT Ports – Schematic



## System Function

Energizing Power unit only, oil is directed to Port "A".

Energizing SOL #1 only, oil is directed from Port "A" back to tank ("T" port).

## Valve Characteristics

1. Uses one 2-way, N/C P.O. poppet type cartridge valve, solenoid operated.
2. Aluminum manifold block machined for one 2-way, cartridge valve and with one 3/8" NPT port.

## Application

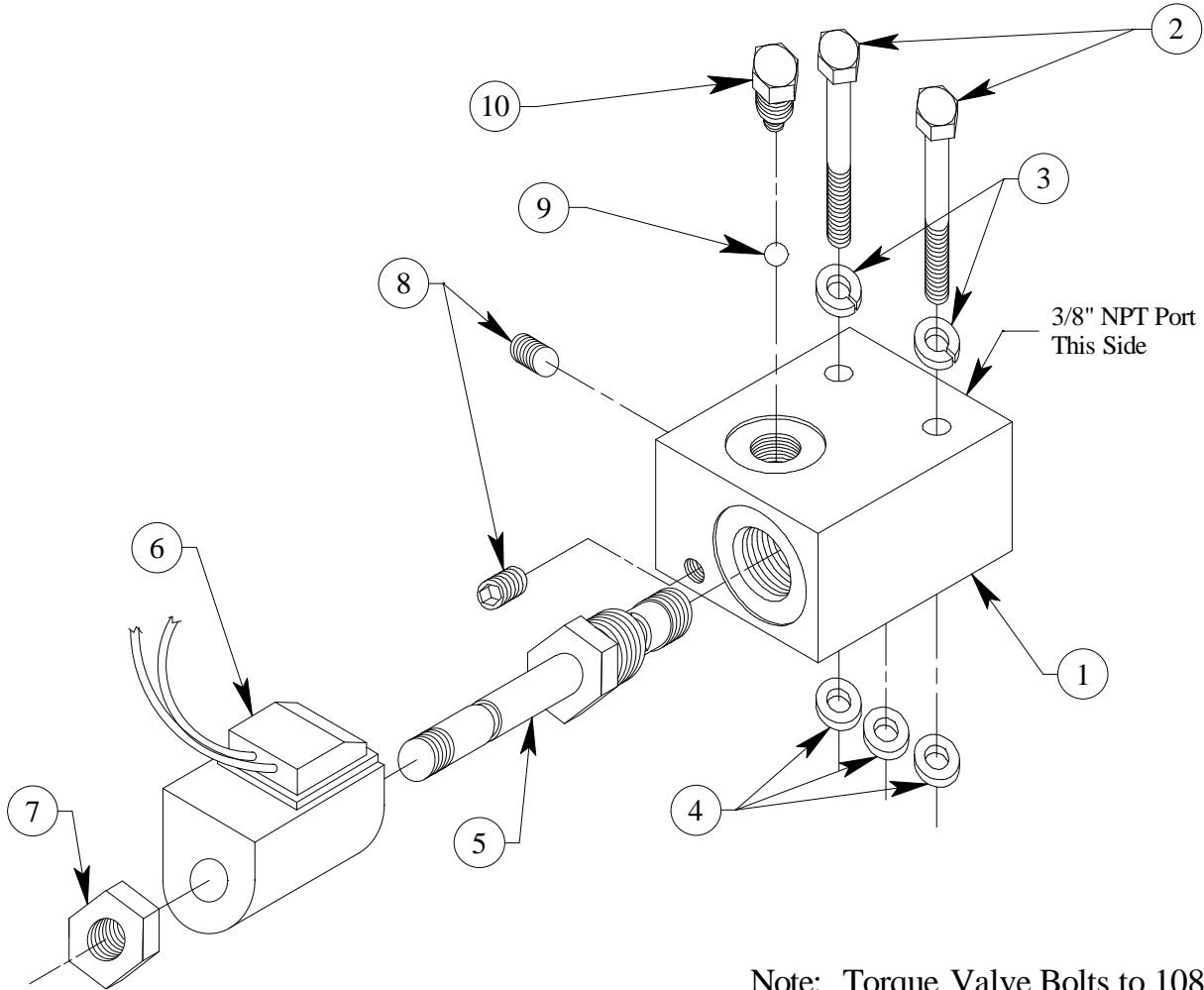
1. Power Up / Gravity Down

## Limitations

1. This valve may be used in lifting applications with the following precaution :
  - If valve is used in an application in which a cylinder is to be lowered with a load on it (over-riding load), it should be noted that the loaded cylinder may lower very rapidly (in as little as one (1) second with a heavy over-riding load on the cylinder).
2. This valve is not stackable.
3. It is recommended that in applications in which a cylinder is to be lowered with a load on it (over-riding load), the #15, #16, #21 valve is to be used so that complete "control" of cylinder is obtained at all times.
4. Horizontal Mounting.

# #13 Single Acting Solenoid Valves, 2-Way, NC Check Valve, 3/8" NPT Ports – Assembly

2394



Note: Torque Valve Bolts to 108 in./lbs.

Drawing No.	Part No.	Quantity Req'd	Part Description
1	2538	1	Block, Solenoid Valve W/Ball Check
2	1774	2	Cap Screw, 1/4" - 20 UNC x 2" Long, Grade 8
3	1290	2	Washer, Lock (1/4" I.D.)
4	1606	3	O - Ring, #2 - 010 Valve Seal
5	2703	1	Cartridge Only, 2-Way, 2-Position, N/C Check Valve
6	2705	1	12 Volt Coil
6B	2706	1	24 Volt Coil
6C	2707	1	110 Volt Coil
6D	2708	1	220 Volt Coil
7		1	Cartridge Valve Nut
8	1579	2	Plug, 1/16" NPT W / Sealant
9	1015	1	Bearing, 5/16" Chrome Ball
10	2542	1	Port Stud W/Spring Assembly