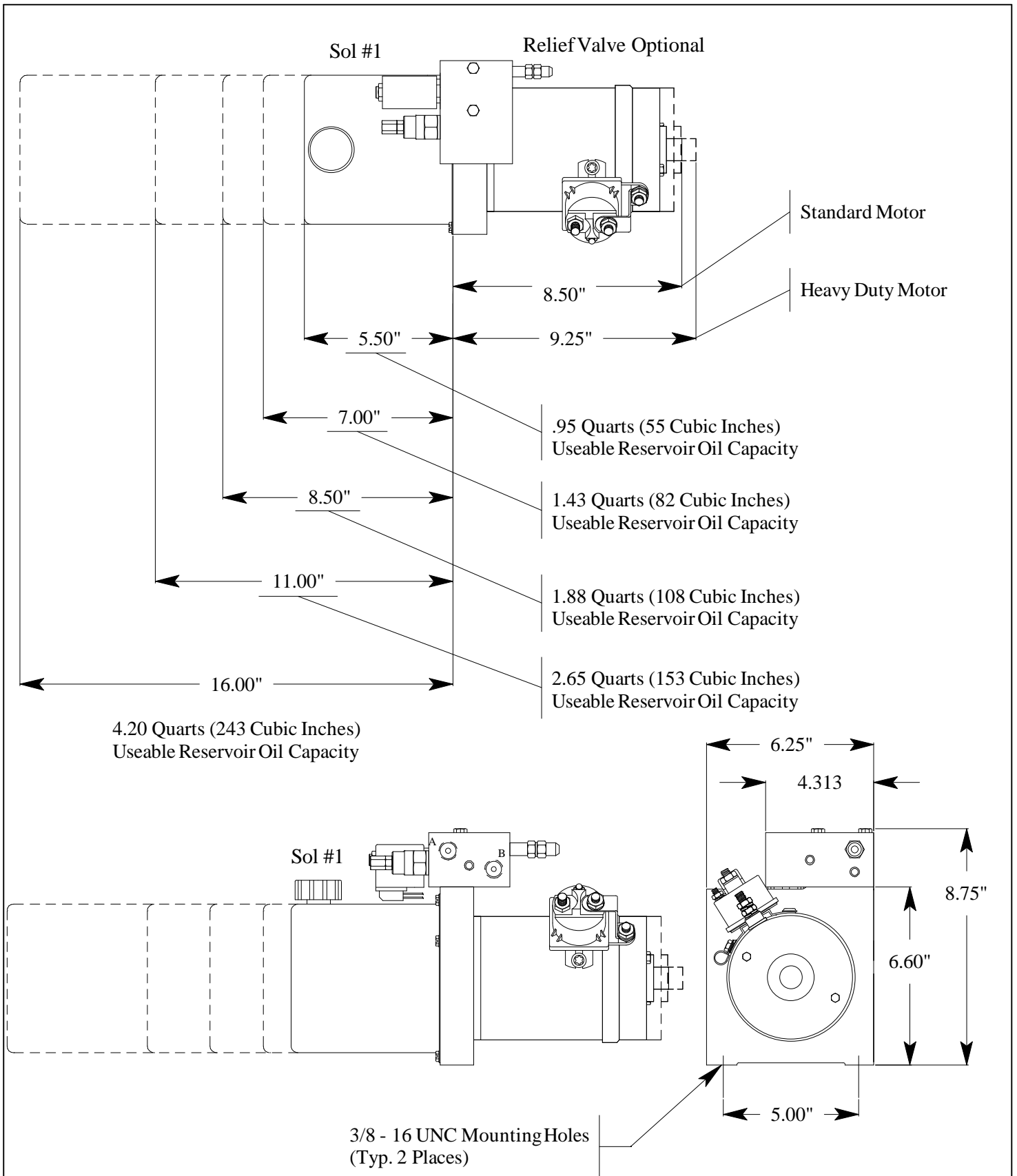
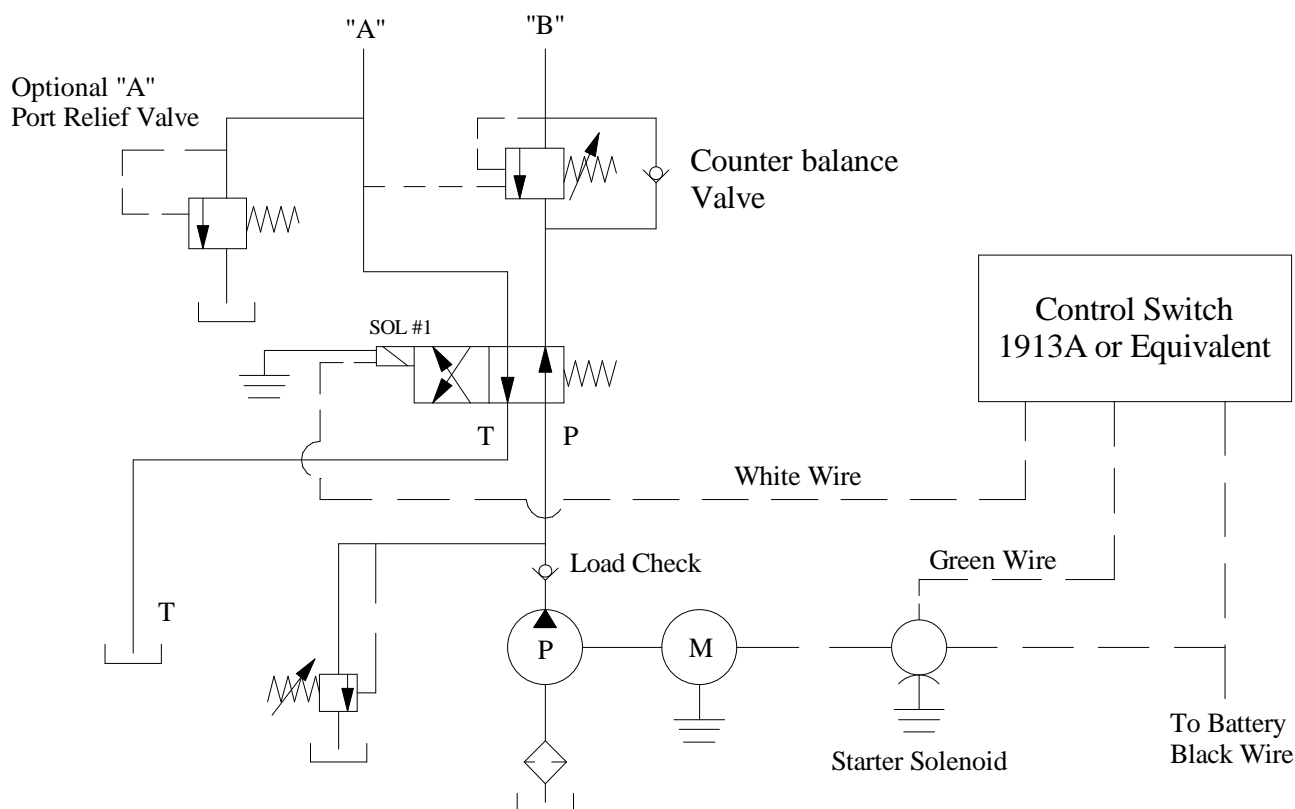


#16 Double Acting Solenoid Valves, 4-Way / 2-Position, with Recycle Valve / Counterbalance Valve, 3/8" NPT Ports – DC Unit Layout



Description:
 12 Volt DC Piston/Gear Pump Unit with One 4-Way, 2 Position Solenoid Valve and One Counterbalance Valve in Aluminum Valve Block.

#16 Double Acting Solenoid Valves, 4-Way / 2-Position, with Recycle Valve / Counterbalance Valve, 3/8" NPT Ports – Schematic



System Function

Energizing Power unit only, oil is directed to Port "B" and oil from Port "A" is directed back to tank.

Energizing Power unit and SOL #1, oil is directed to Port "A" and oil from Port "B" is directed back to tank.

Port "A" is protected by an optional "A" Port relief valve.

Application

1. Power up / Power Down
2. Power extend / Power retract

Valve Characteristics

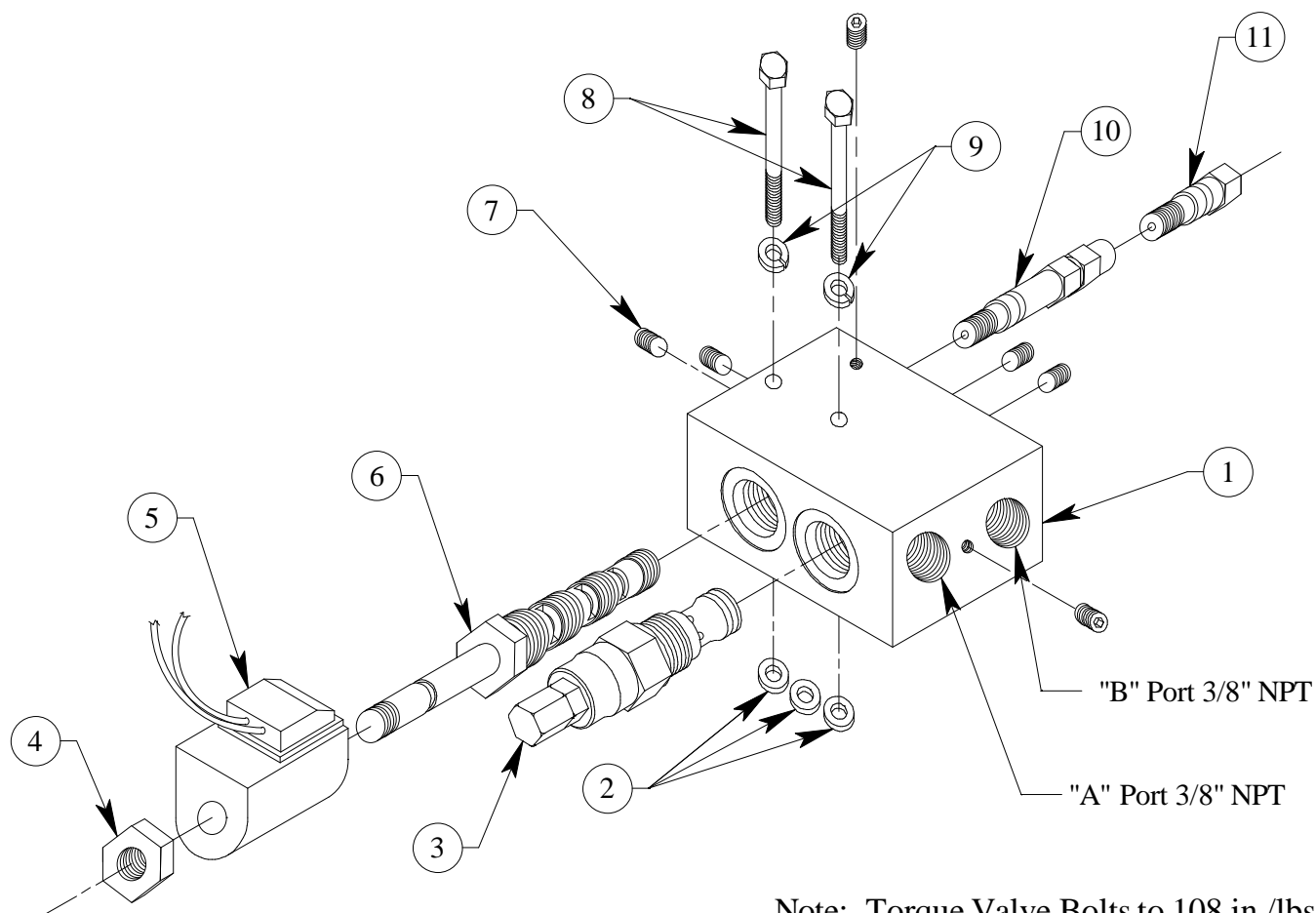
1. Uses a 4-way, 2-Position spool type cartridge valve, Solenoid operated, one spool type counter balance cartridge valve and an optional "A" Port relief valve.
2. Aluminum Valve block machined for one 4-way, 2-Position cartridge valve, one counter balance cartridge valve, one optional relief valve Port and two 3/8" NPT Ports.

Limitations

1. When lifting and/or holding a load, Use Port "B".
2. This valve is not stackable.
3. Horizontal Mounting only.

#16 Double Acting Solenoid Valves, 4-Way / 2-Position, with Recycle Valve / Counterbalance Valve, 3/8" NPT Ports – Assembly

2396



Note: Torque Valve Bolts to 108 in./lbs.

Drawing No.	Part No.	Quantity Req'd	Part Description
1	2167	1	Block, Solenoid Valve
2	1606	3	O - Ring, #2 - 010
3	2166	1	Cartridge Valve, Counterbalance
4		1	Cartridge Valve Nut
5A	2705	1	12 Volt Coil
5B	2706	1	24 Volt Coil
5C	2707	1	110 Volt Coil
5D	2708	1	220 Volt Coil
6	2704	1	Cartridge Only, 4-Way, 2-Position
7	1579	6	Plug, 1/16" NPT W / Sealant
8	1937	2	Cap Screw, 1/4" - 20 UNC x 2.5" Long, Grade 8
9	1290	2	Washer, Lock (1/4" I.D.)
10	1575	1	Relief Valve, Port (Optional)
11	1641	1	Plug, Relief Valve (Optional)