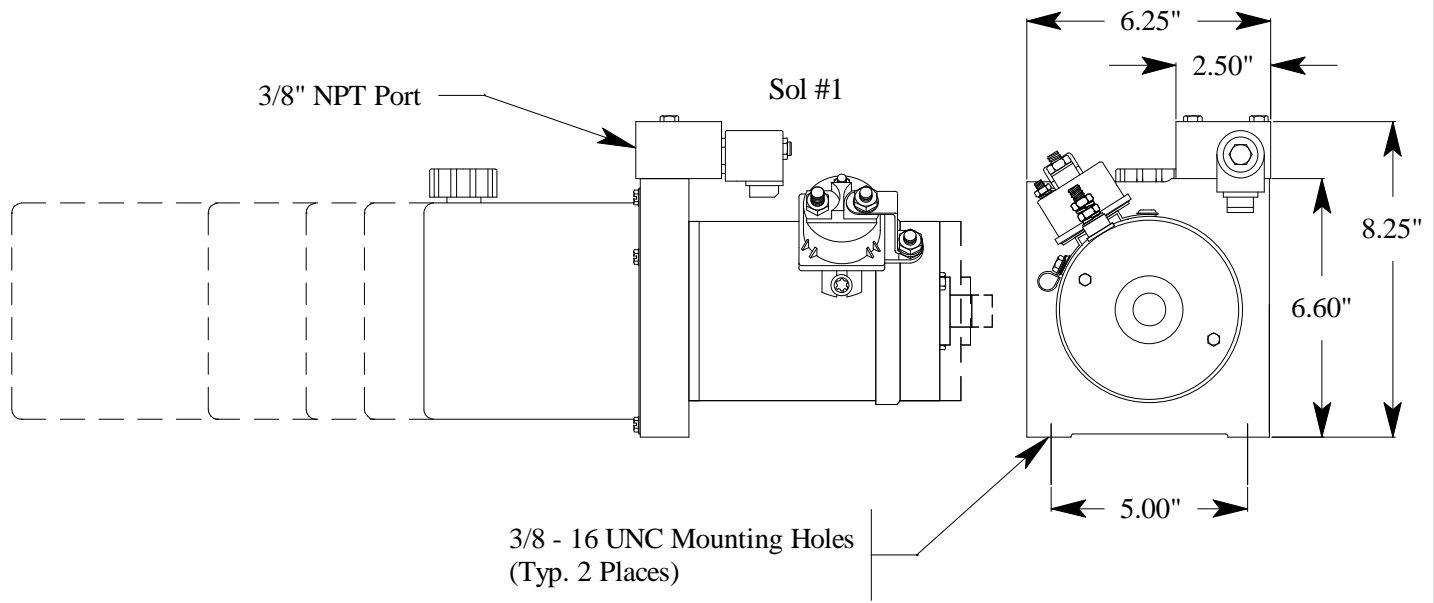
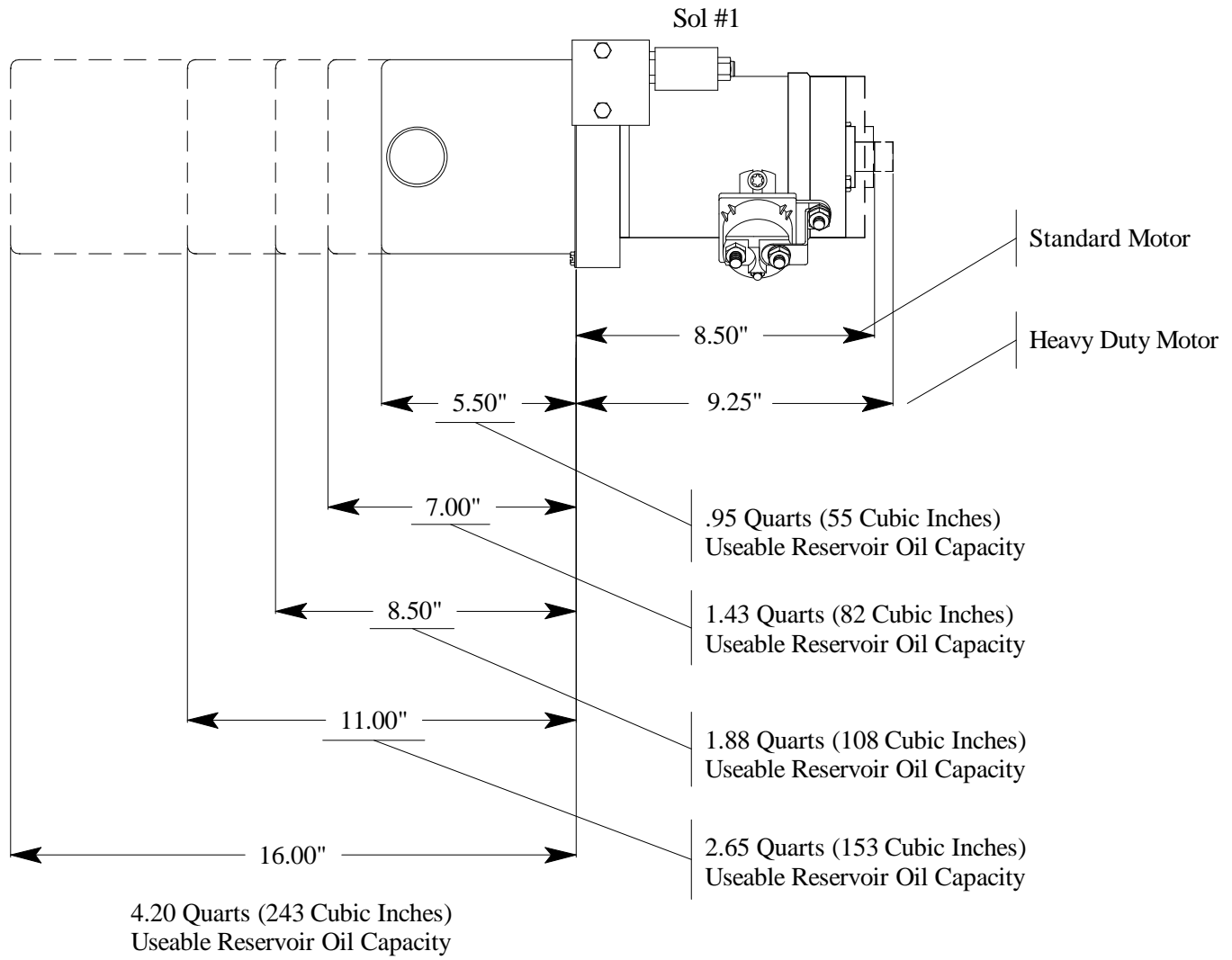
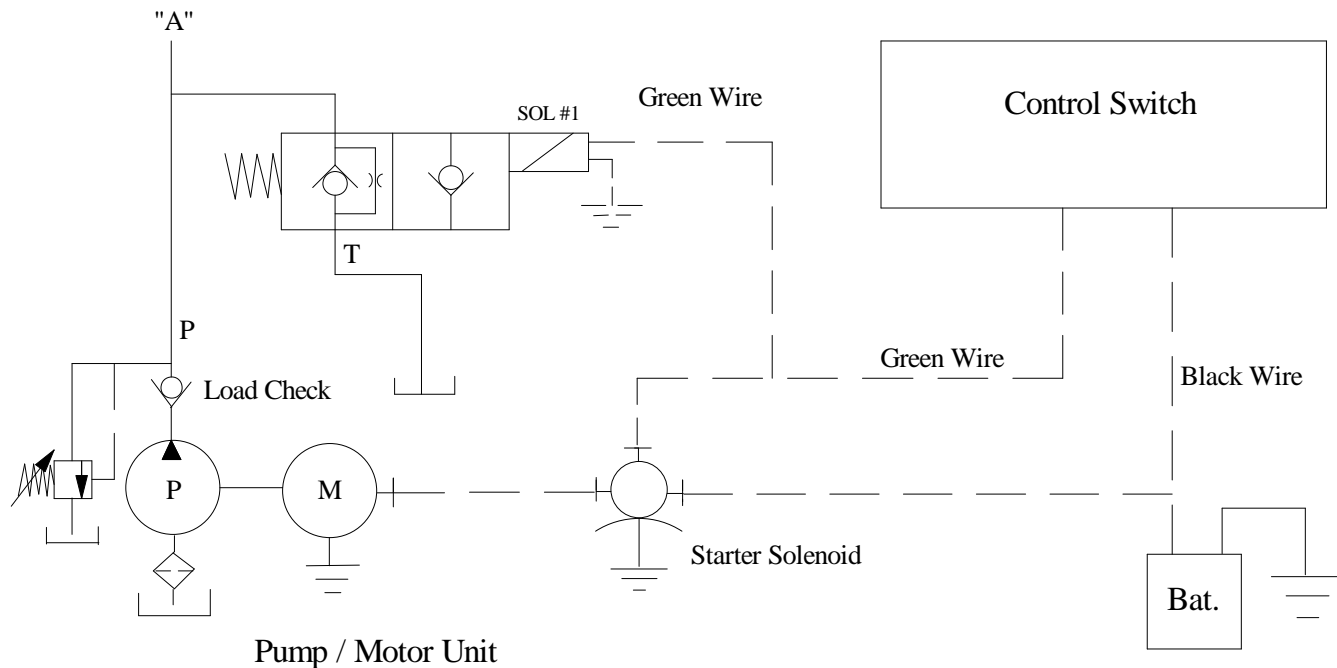


# #18 Single Acting Solenoid Valves, 2-Way, N/O P.O. Check Poppet Type Cartridge Type – DC Unit Layout



Description :  
12 Volt DC Piston/Gear Pump Unit with One Solenoid Operated N/O Check Valve.

# #18 Single Acting Solenoid Valves, 2-Way, N/O P.O. Check Poppet Type Cartridge Type – Schematic



## System Function

Energizing Power unit and Sol #1, oil is directed to Port "A".

When power unit and Sol #1 are de-energized, the oil will return to tank ("T" Port).

## Valve Characteristics

1. Uses one 2-way, N/O P.O. poppet type cartridge valve, solenoid operated.
2. Aluminum manifold block machined for one 2-way, cartridge valve and with one 3/8" NPT port.

## Application

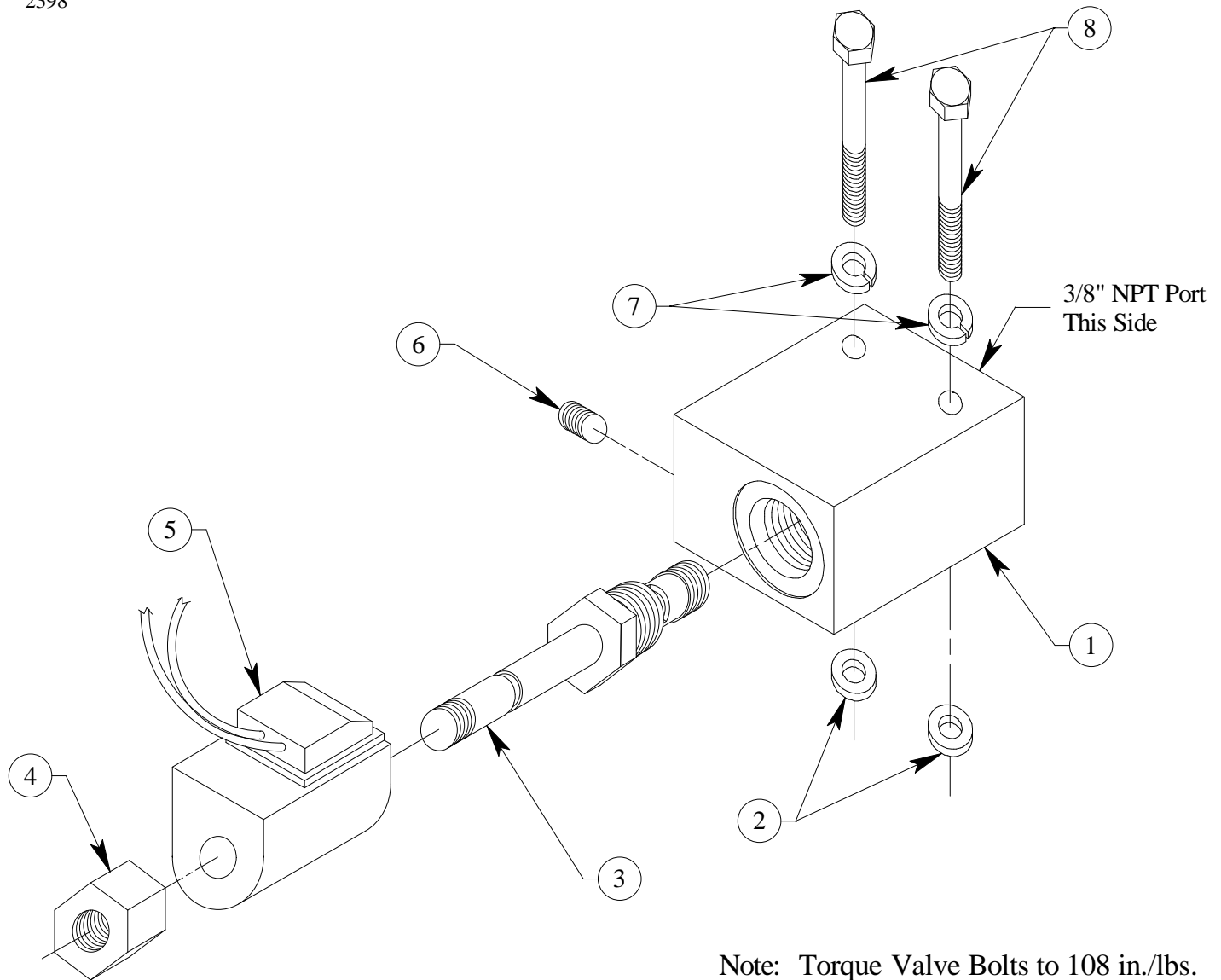
1. Power Up / Gravity Down

## Limitations

1. This valve may be used in lifting applications with the following precaution :
  - If valve is used in an application in which a cylinder is to be used, it should be noted that when the power unit and Sol #1 are de-energized, the cylinder may lower very rapidly (in as little as one (1) second) with a heavy over-riding load on the cylinder if a flow control is not used.
2. This valve is not stackable.
3. Horizontal Mounting.

# #18 Single Acting Solenoid Valves, 2-Way, N/O P.O. Check Poppet Type Cartridge Type – Assembly

2398



Drawing No.	Part No.	Quantity Req'd	Part Description
1	1822	1	Block, Solenoid Valve
2	1606	2	O - Ring, #2 - 010 Valve Seal
3	2146	2	Cartridge Only, 2-Way, 2-Position, N/O Check Valve
4	1991	2	Nut Only, Cartridge Valve
5A	2068	1	12 Volt Coil (Delta #PDL12)
5B	2069	1	24 Volt Coil (Delta #PDL24)
5C	2070	1	110 Volt Coil (Delta #PCL11)
5D	2071	1	220 Volt Coil (Delta #PCL22)
6	1579	1	Plug, 1/16" NPT W / Sealant
7	1290	1	Washer, Lock (1/4" I.D.)
8	1774	1	Cap Screw, 1/4" - 20 UNC x 2" Long, Grade 8