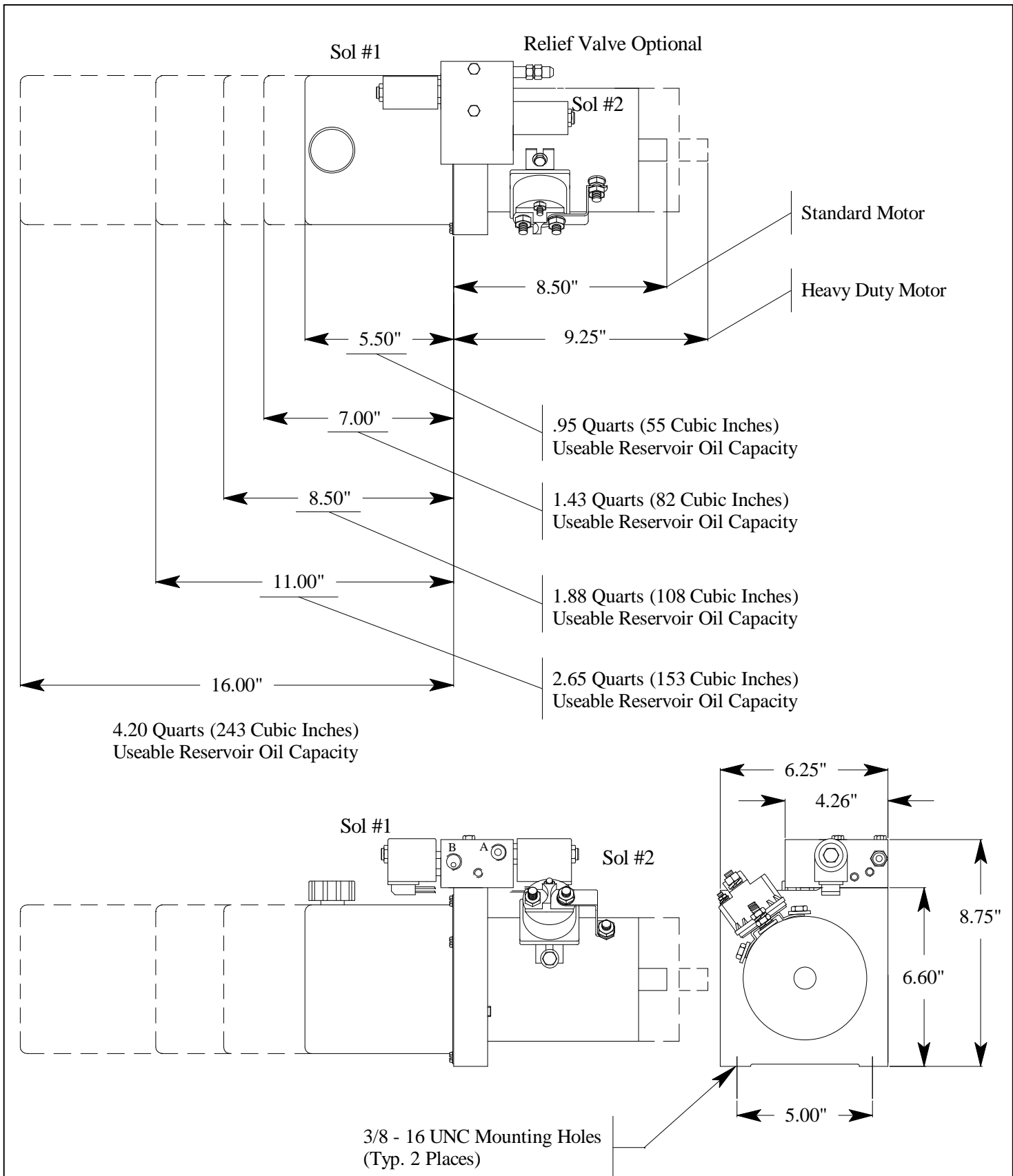
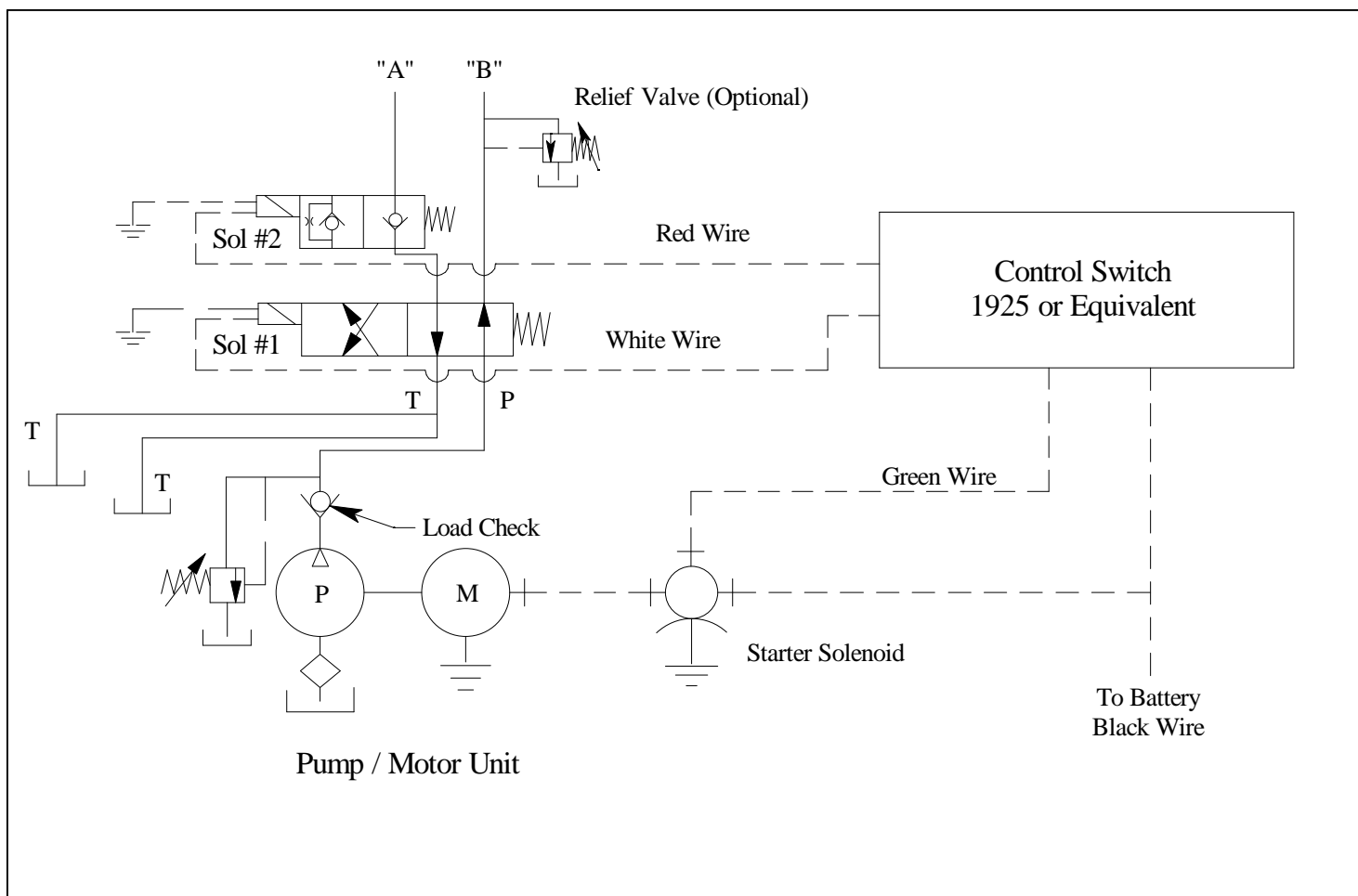


#19 Double Acting Solenoid Valves, N/C 1) Pilot Operated Check Valve – DC Unit Layout



Description :
12 Volt DC Piston/Gear Pump with one 4-Way, 2-Position Solenoid Valve and one Solenoid Operated N/C Check Valve. (Modified return hole to reservoir.)

#19 Double Acting Solenoid Valves, N/C 1) Pilot Operated Check Valve – Schematic



System Function

Energizing Power unit and Sol # 1, oil is directed to Port "A" and oil from Port "B" is directed back to tank ("T" Port).

Energizing Power unit and Sol # 2, oil is directed to Port "B" and oil from Port "A" is directed back to tank ("T" Port).

Application

1. Power up / Power Down
2. Power extend / Power retract

Valve Characteristics

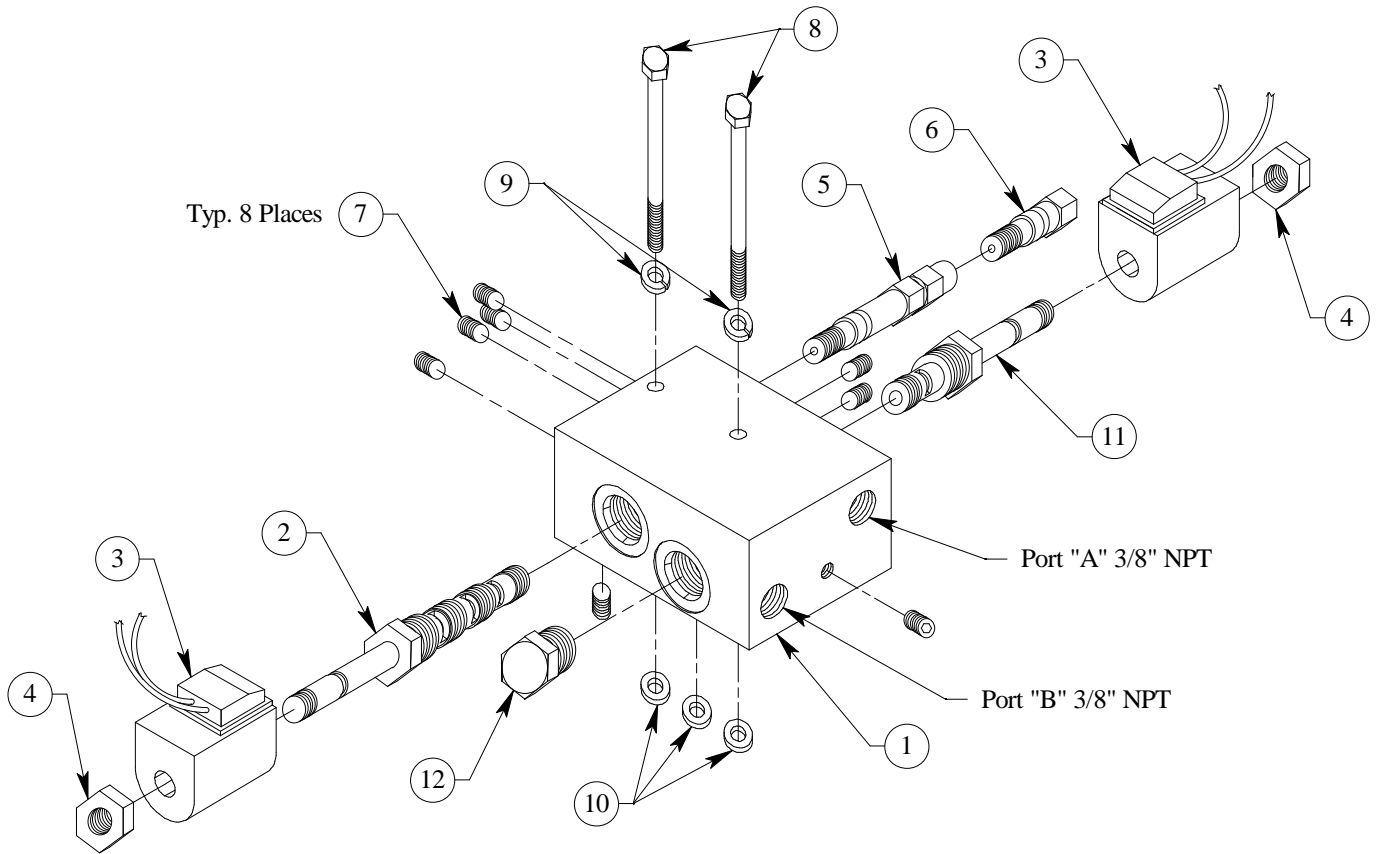
1. Uses one 4-way, 2-position spool type cartridge valve and one 2-way NC P.O. poppet type check valve, solenoid operated.
2. Aluminum manifold block machined for one 4-way, 2-position cartridge valve, two 2-way check valves (plugging one cavity in this application) and with two 3/8" NPT Ports. Modified return holes to reservoir.

Limitations

1. When lifting and/or holding a load, use port "A".
2. If valve is used in an application in which a cylinder is to be lowered with a load on it (overriding load), it should be noted that pressure surges can occur in the load holding hose.
3. Horizontal Mounting.

#19 Double Acting Solenoid Valves, N/C 1) Pilot Operated Check Valve – Assembly

2587



Drawing No.	Part No.	Quantity Req'd	Part Description
1	2585	1	Block, Solenoid Valve
2	2704	1	Cartridge Only, 4-Way, 2-Position, Valve
3A	2705	2	12 Volt Coil
3B	2706	2	24 Volt Coil
3C	2707	2	110 Volt Coil
3D	2708	2	220 Volt Coil
4		2	Cartridge Valve Nut
5	1575	1	Relief Valve, Port (Optional)
6	1641	1	Plug, Relief Valve (Optional)
7	1579	8	Plug, 1/16" NPT w/Sealant
8	1937	2	Cap Screw, 1/4" - 20 UNC x 2.5" Long, Grade 8
9	1290	2	Washer, Lock (1/4" I.D.)
10	1606	3	O - Ring, #2 - 010 Valve Seal
11	2703	1	Cartridge Only, 2-Way, 2-Position, N/C Check Valve
12	1969	1	Plug, #8 ORB 3/4" - 16