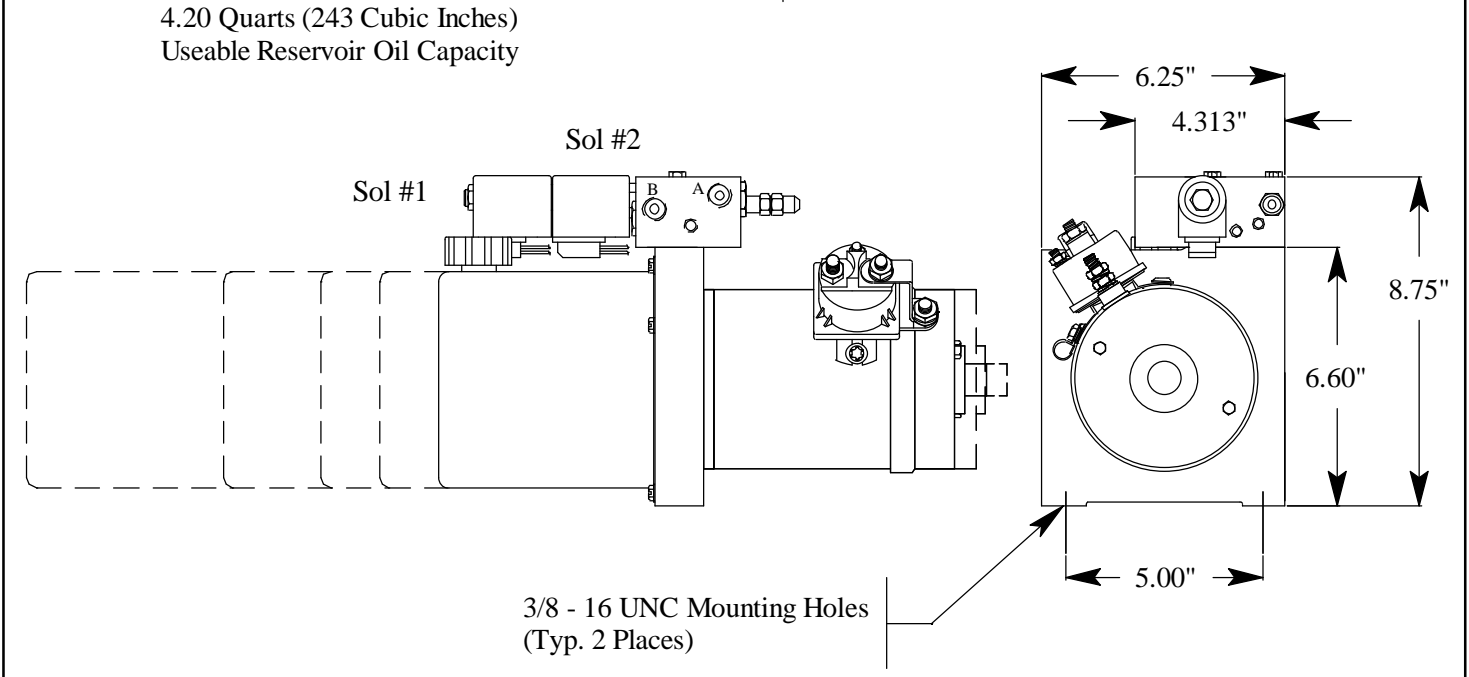
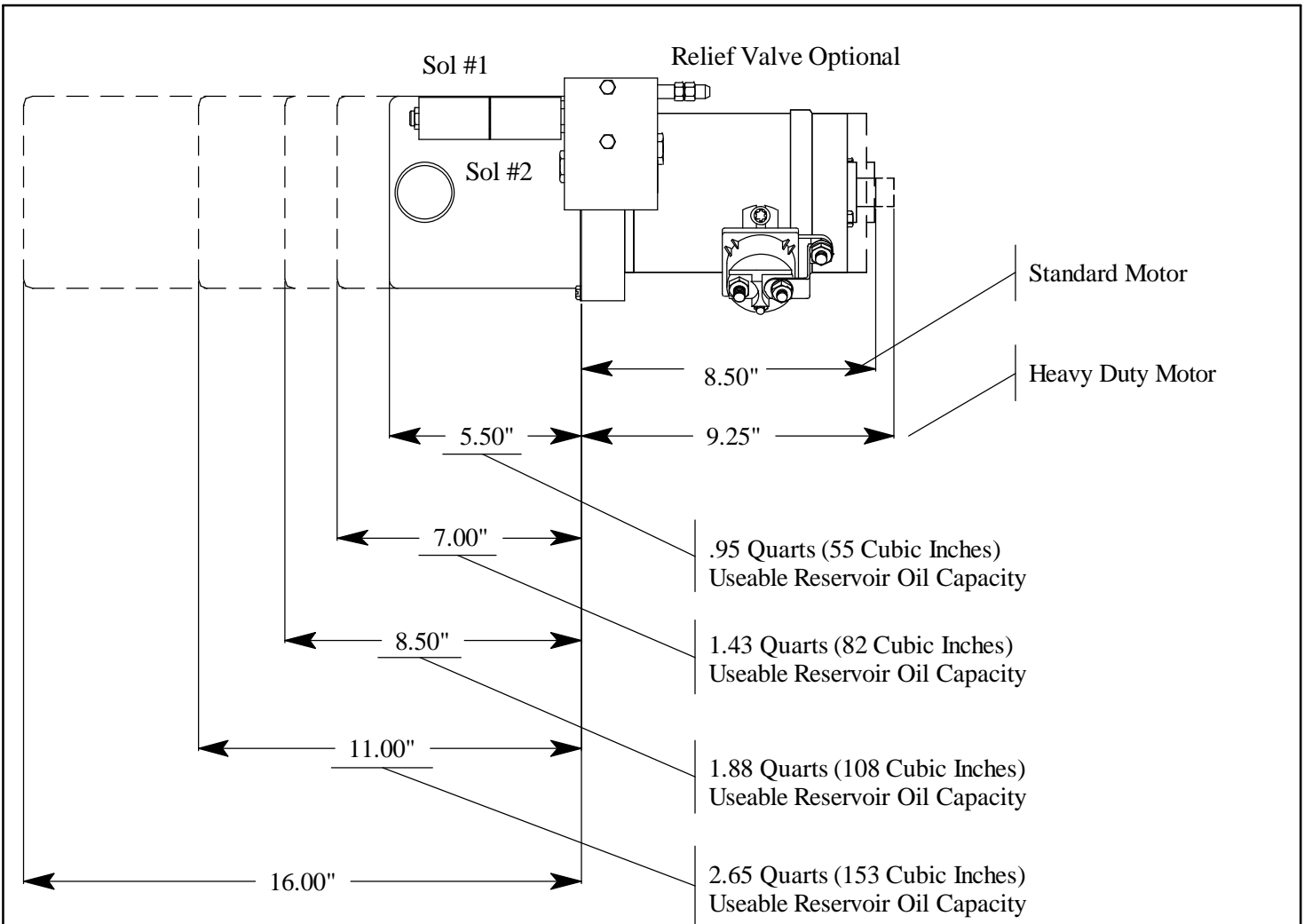


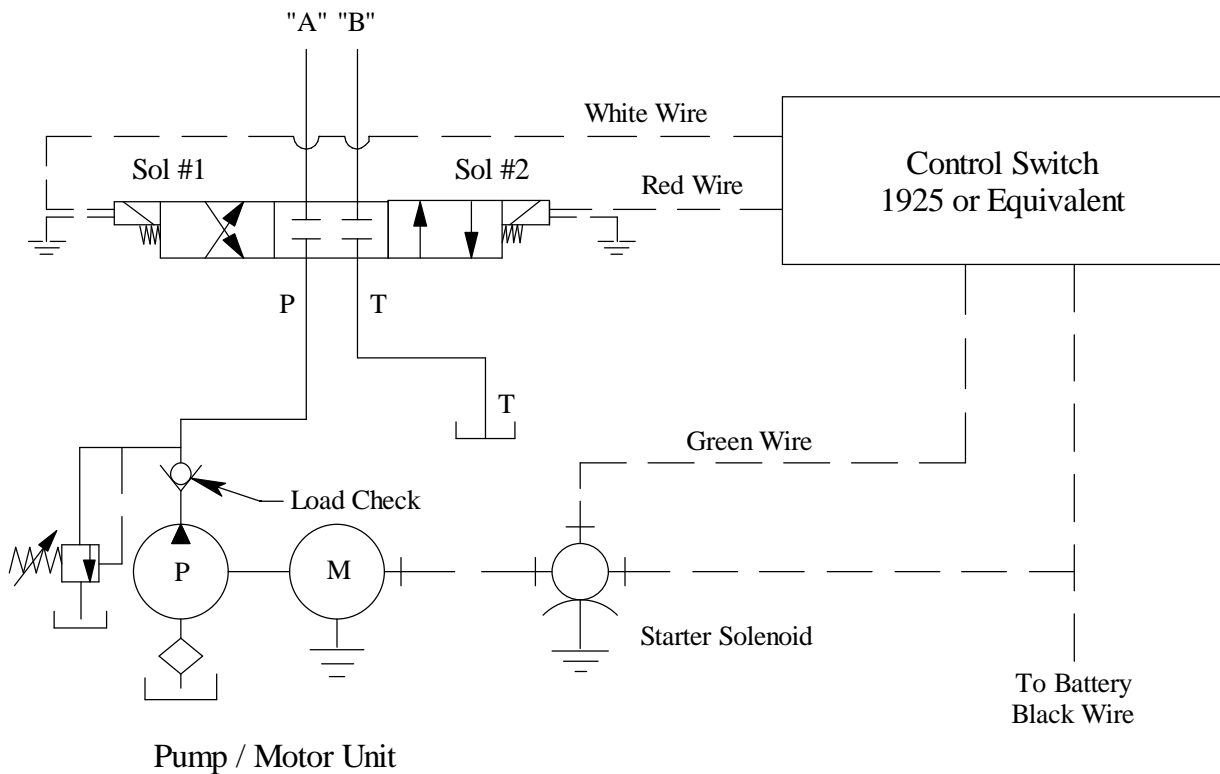
# #22 Double Acting Solenoid Valve Operated, 4-Way / 3-Position, Closed Center, 3/8" NPT Ports – DC Unit Layout



**Description :**

12 Volt DC Piston Pump with one 4-Way, 3-Position, Closed Center Cartridge Valve.

# #22 Double Acting Solenoid Valve Operated, 4-Way / 3-Position, Closed Center, 3/8" NPT Ports – Schematic



## System Function

Energizing Power unit and Sol # 1, oil is directed to Port "A" and oil from Port "B" is directed back to tank ("T" Port).

Energizing Power unit and Sol # 2, oil is directed to Port "B" and oil from Port "A" is directed back to tank ("T" Port).

## Application

1. Power up / Power Down
2. Power extend / Power retract

## Valve Characteristics

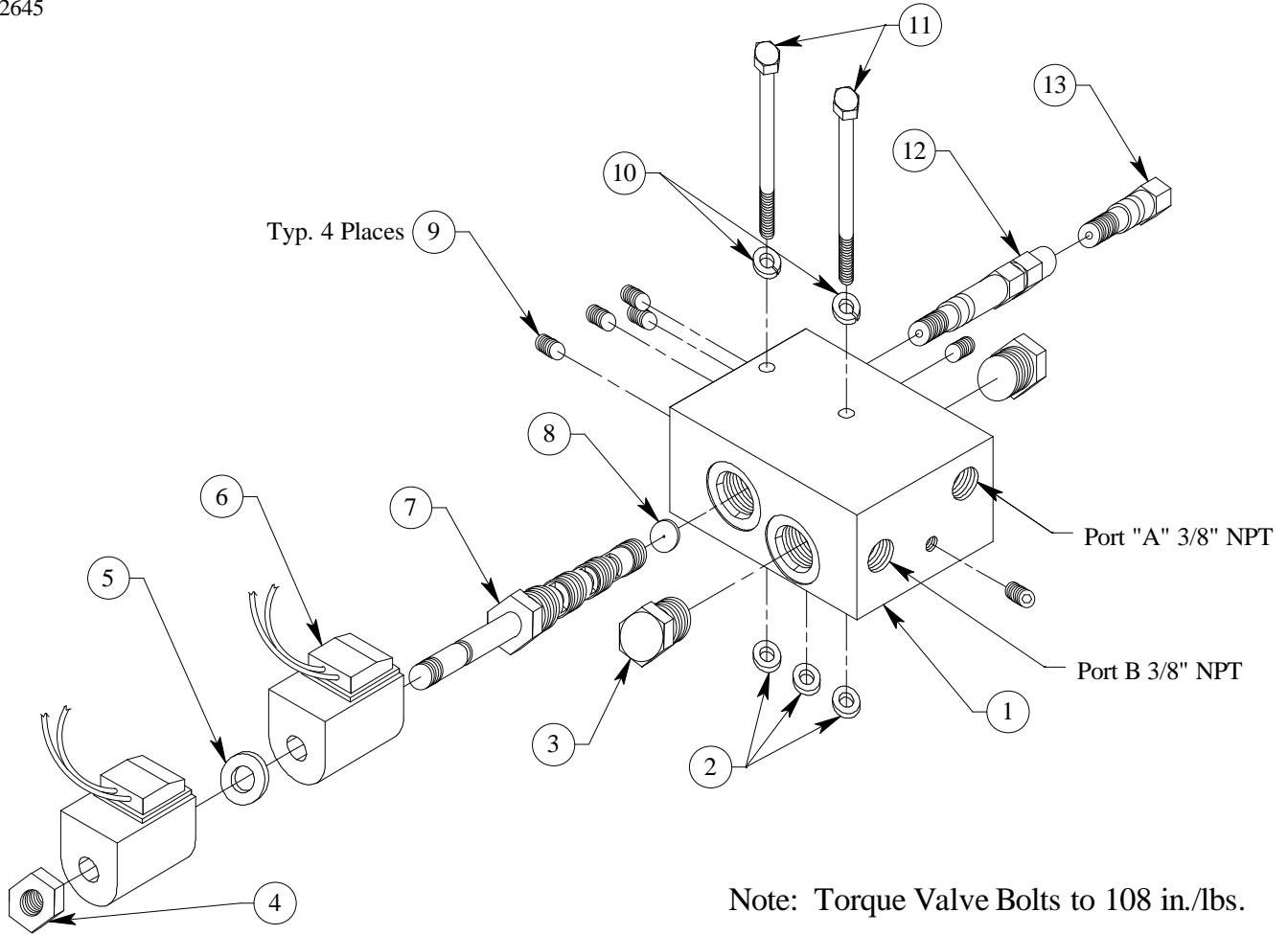
1. Uses one 4-way, 3-position, closed center spool type cartridge valve, solenoid operated.
2. Aluminum manifold block machined for one 4-way, 3-position, closed center cartridge valve, and with two 3/8" NPT Ports.

## Limitations

1. When lifting a load, use port "A".
2. When a load is to be held "positively", use valve #11, #12, or #16.
3. This valve is stackable from the factory up to three valves.
4. Horizontal Mounting.

# #22 Double Acting Solenoid Valve Operated, 4-Way / 3-Position, Closed Center, 3/8" NPT Ports – Assembly

2645



Drawing No.	Part No.	Quantity Req'd	Part Description
1	2497	1	Block, Solenoid Valve
2	1606	3	O - Ring, #2 - 010 Valve Seal
3	1969	3	Plug, #8 ORB 3/4-16
4		1	Nut Only, 08 Series
5		1	Washer, Isolation
6A	2705	2	12 Volt Coil
6B	2706	2	24 Volt Coil
6C	2707	2	110 Volt Coil
6D	2708	2	220 Volt Coil
7	1943	1	Cartridge Only, 4-Way, 3-Position, Closed Center Valve
8	2046	1	Orifice Disk, .050 Dia. (Optional)
9	1579	6	Plug, 1/16" NPT w/Sealant
10	1290	2	Washer, Lock (1/4" I.D.)
11	1937	2	Cap Screw, 1/4"-20 x 2.5" GR 8 HH Plain
12	1575	1	Relief Valve, Port (Optional)
13	1641	1	Plug, Relief Valve (Optional)