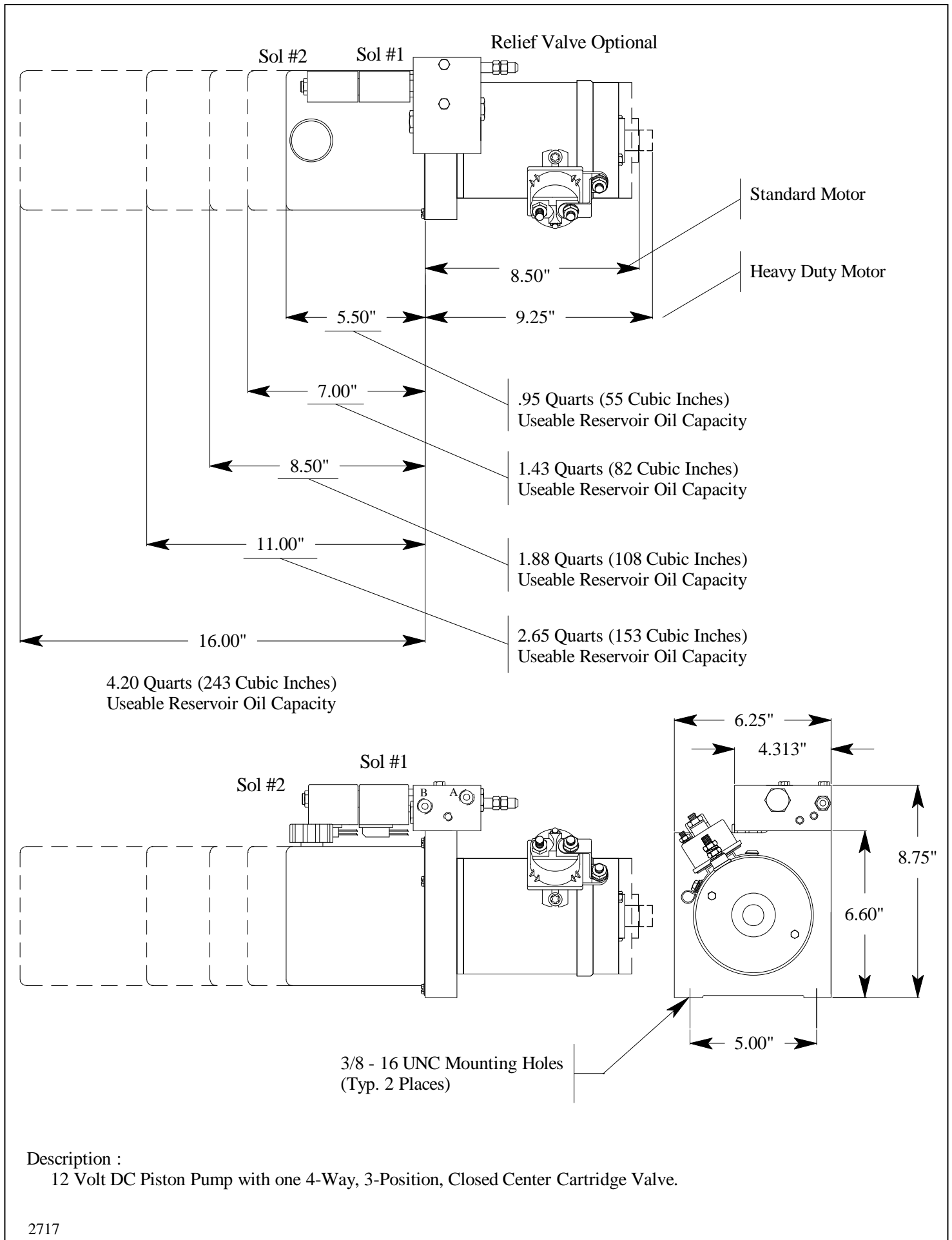


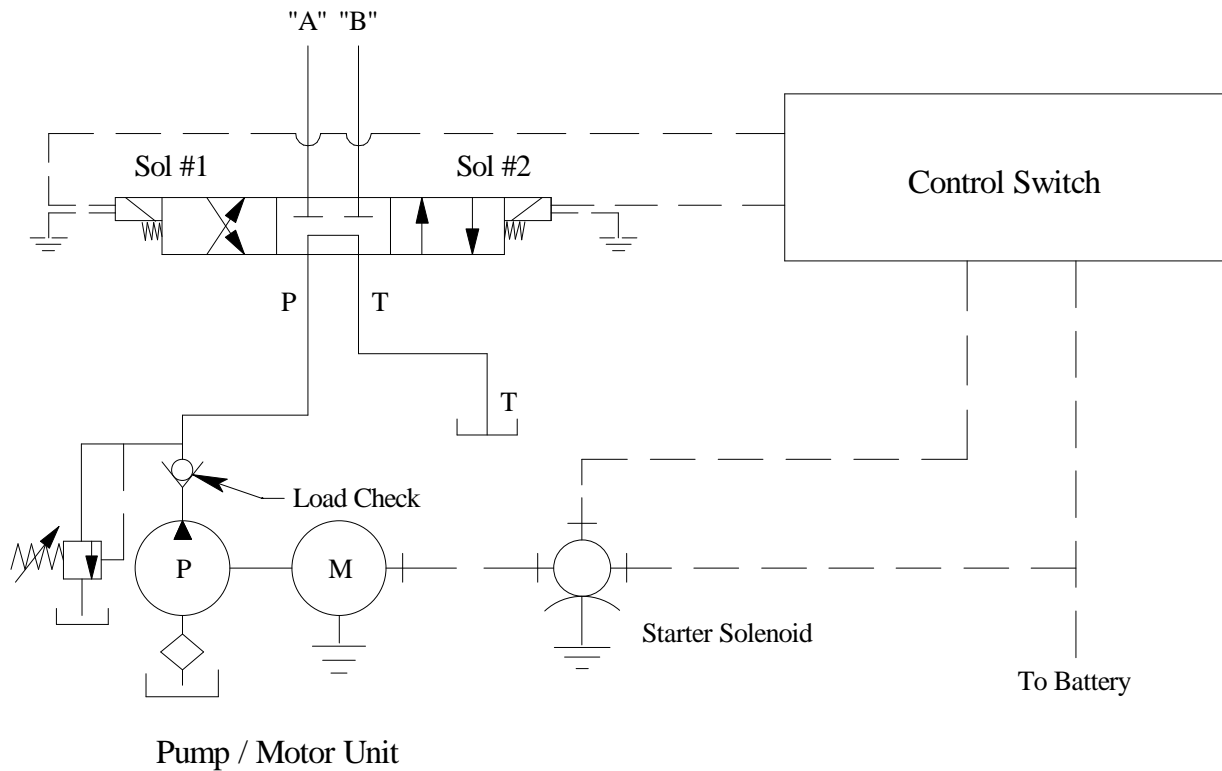
# #23 Double Acting Solenoid Valves, 4-Way / 3-Position, Closed Center, 3/8" NPT Ports – DC Unit Layout



Description :

12 Volt DC Piston Pump with one 4-Way, 3-Position, Closed Center Cartridge Valve.

# #23 Double Acting Solenoid Valves, 4-Way / 3-Position, Closed Center, 3/8" NPT Ports – Schematic



## System Function

Energizing Power unit and Sol # 1, oil is directed to Port "B" and oil from Port "A" is directed back to tank ("T" Port).

Energizing Power unit and Sol # 2, oil is directed to Port "A" and oil from Port "B" is directed back to tank ("T" Port).

## Application

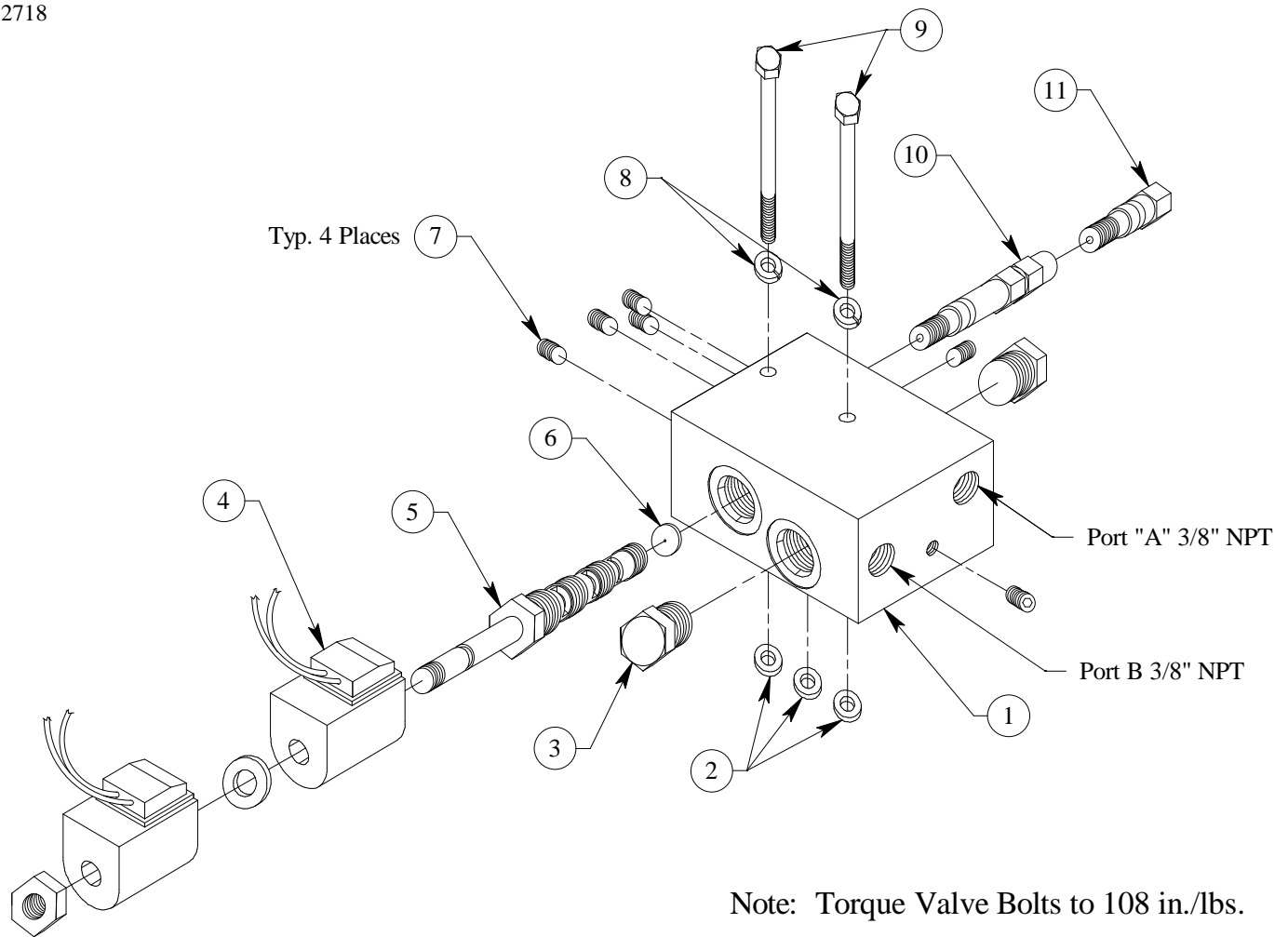
1. Power up / Power Down
2. Power extend / Power retract

## Valve Characteristics

1. Uses one 4-way, 3-position, tandem center spool type cartridge valve, solenoid operated.
2. Aluminum manifold block machined for one 4-way, 3-position, tandem center cartridge valve, and with two 3/8" NPT Ports.

# #23 Double Acting Solenoid Valves, 4-Way / 3-Position, Closed Center, 3/8" NPT Ports – Assembly

2718



Note: Torque Valve Bolts to 108 in./lbs.

Drawing No.	Part No.	Quantity Req'd	Part Description
1	2497	1	Block, Solenoid Valve
2	1606	3	O - Ring, #2 - 010 Valve Seal
3	1969	2	Plug, #8 ORB 3/4-16
4A	2705	2	12 Volt Coil
4B	2706	2	24 Volt Coil
4C	2707	2	110 Volt Coil
4D	2708	2	220 Volt Coil
5	2754	1	Cartridge Only, 4-Way, 3-Position, Tandem Center Valve
6	2046	1	Orifice Disk, .050 Dia. (Optional)
7	1579	6	Plug, 1/16" NPT w/Sealant
8	1290	2	Washer, Lock (1/4" I.D.)
9	1937	2	Cap Screw, 1/4"-20 x 2.5" GR 8 HH Plain
10	1575	1	Relief Valve (Optional)
11	1641	1	Relief Valve Plug (If no relief)