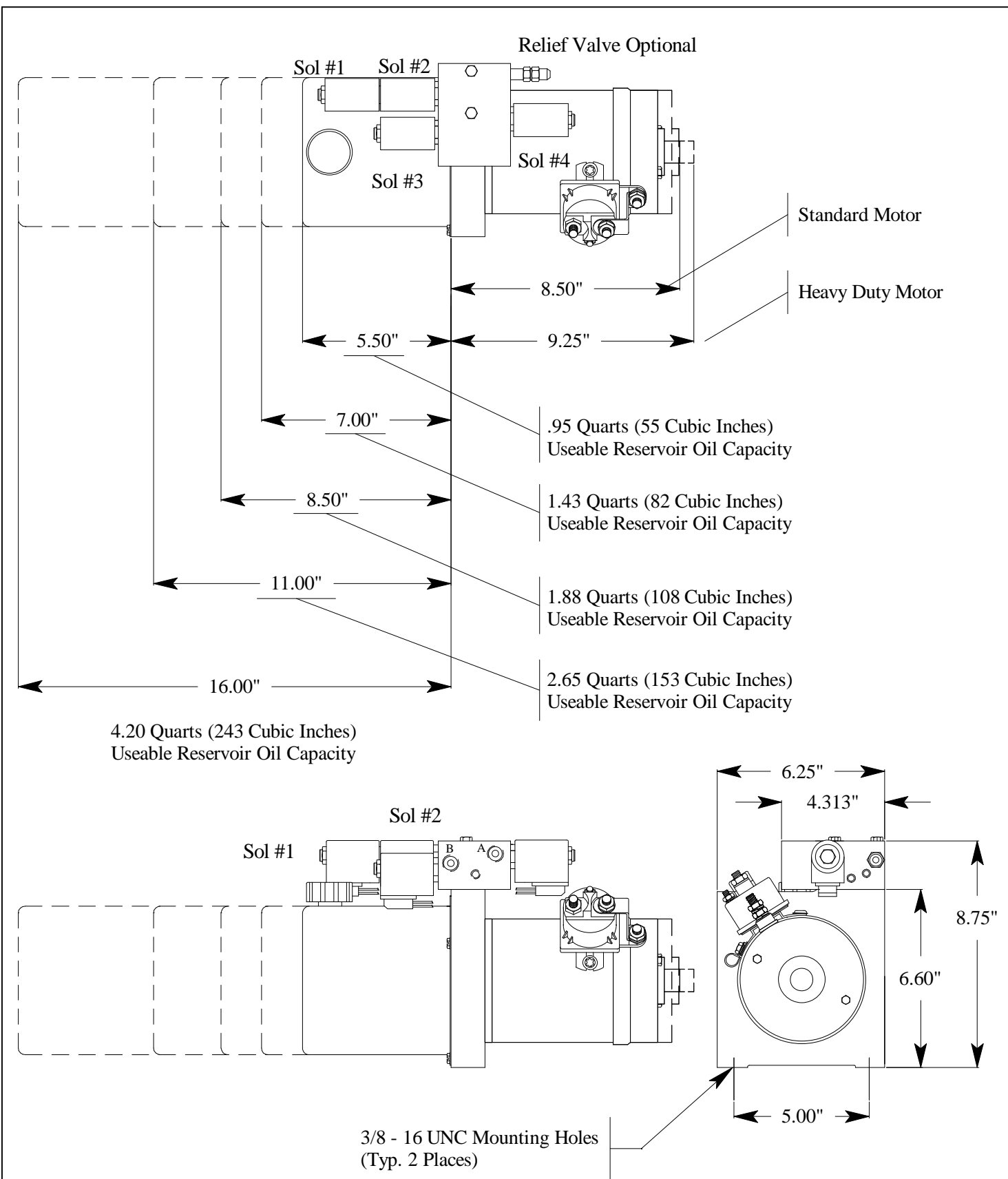


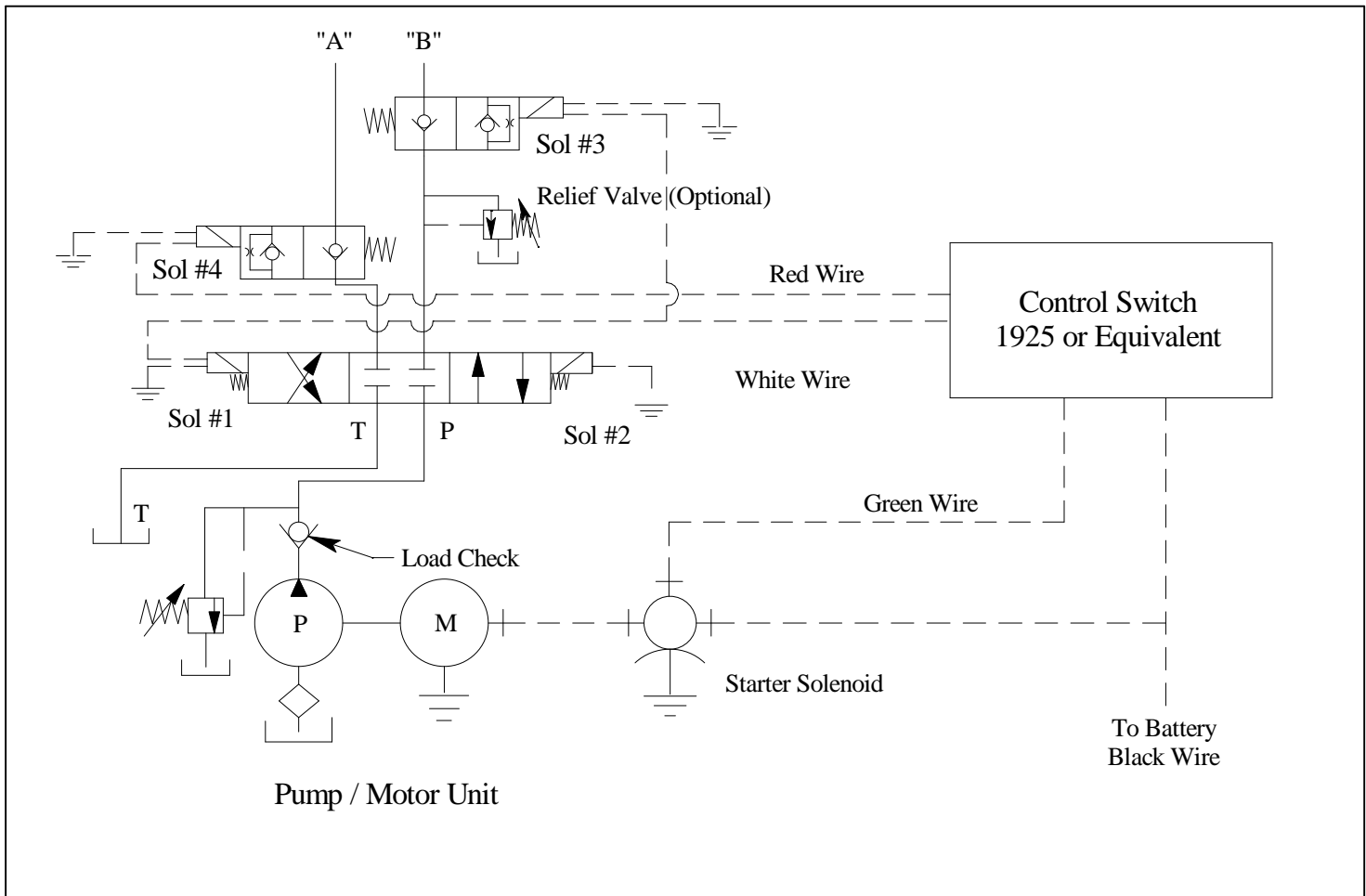
#24 Double Acting Solenoid Valve, 4-Way / 3-Position, Closed Center with 12 Checks Valves, 3/8" NPT Ports – DC Unit Layout



Description :

12 Volt DC Piston Pump with one 4-Way, 3-Position, Closed Center Cartridge Valve.

#24 Double Acting Solenoid Valve, 4-Way / 3-Position, Closed Center with 12 Checks Valves, 3/8" NPT Ports – Schematic



System Function

Energizing Power unit and Sol #1 & #3, oil is directed to Port "A" and oil from Port "B" is directed back to tank ("T" Port).

Energizing Power unit and Sol # 2 & #4 oil is directed to Port "B" and oil from Port "A" is directed back to tank ("T" Port).

Application

1. Power up / Power Down
2. Power extend / Power retract

Valve Characteristics

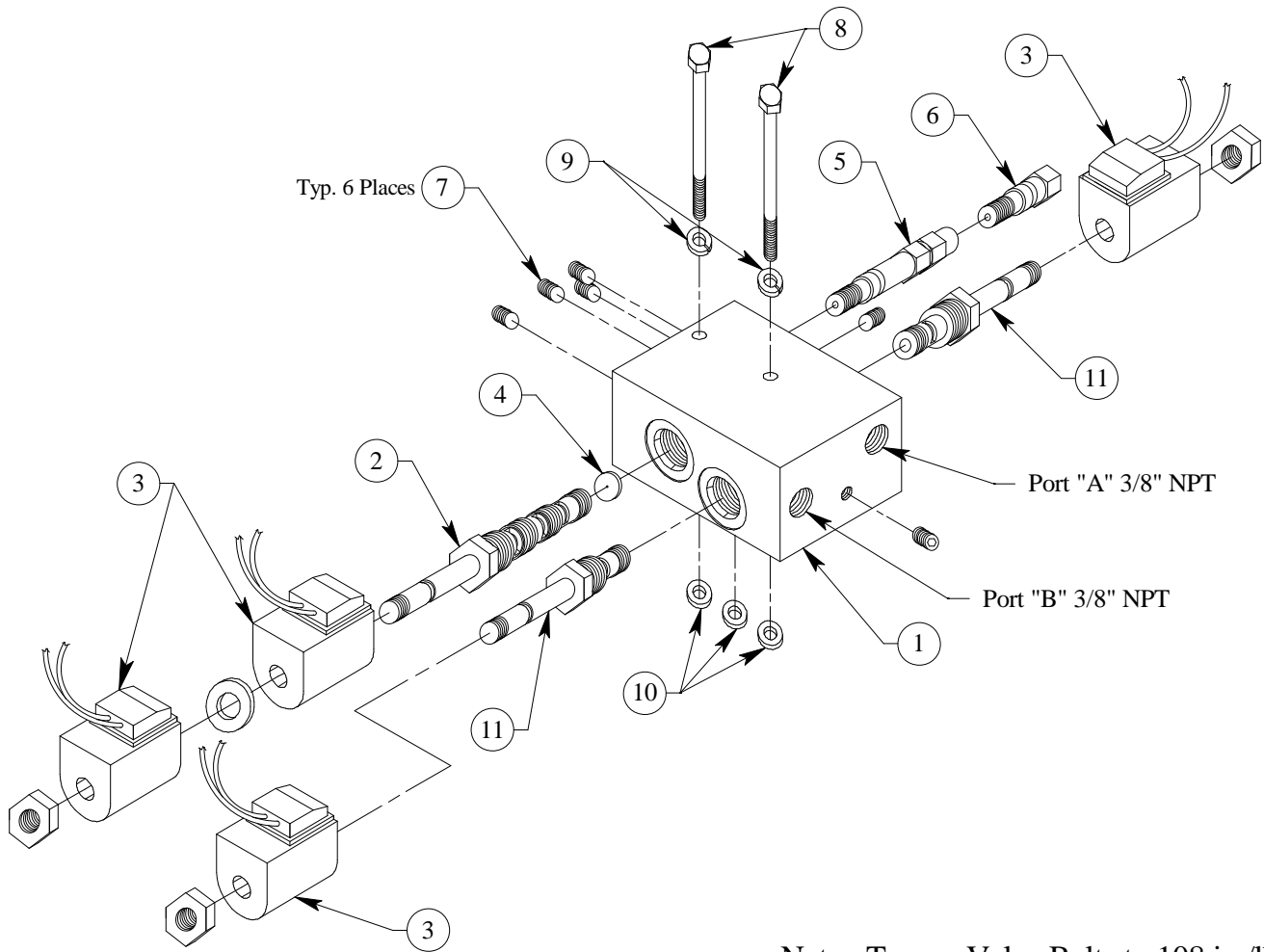
1. Uses one 4-way, 3-position, closed center spool type cartridge valve, solenoid operated.
2. Aluminum manifold block machined for one 4-way, 3-position, closed center cartridge valve, and with two 3/8" NPT Ports.

Limitations

1. When lifting a load, use port "A".
2. This valve is stackable from the factory up to three valves.

#24 Double Acting Solenoid Valve, 4-Way / 3-Position, Closed Center with 12 Checks Valves, 3/8" NPT Ports – Assembly

2720



Note: Torque Valve Bolts to 108 in./lbs.

Drawing No.	Part No.	Quantity Req'd	Part Description
1	2497	1	Block, Solenoid Valve
2	1943	1	Cartridge 4-Way, 3-Position Valve
3	2705	4	12 Volt Coil - Other Voltages Available
4	2046	1	Orifice Disk, .050 Dia. (Optional)
5	1575	1	Relief Valve, Port (Optional)
6	1641	1	Plug, Relief Valve (Optional)
7	1579	6	Plug, 1/16" NPT w/Sealant
8	1937	2	Cap Screw, 1/4"-20 x 2.5" GR 8 Pltd
9	1290	2	Washer, Lock (1/4" I.D.)
10	1606	3	O - Ring, #2 - 010 Valve Seal
11	2703	2	Cartridge 2-Way, 2-Position, N/C Check Valve