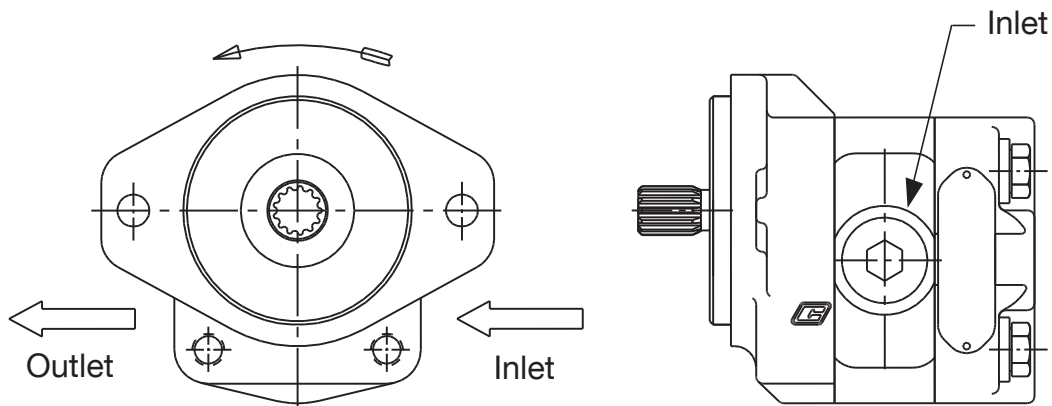


BI-ROTATIONAL PUMP INSTALLATION

TO VERIFY THE INLET PORT ON A BI-ROTATIONAL PUMP, DETERMINE WHICH WAY THE SHAFT OF THE PUMP IS GOING TO TURN FROM THESE TWO SAMPLE DIAGRAMS AND PLUMB ACCORDINGLY.

WARNING: DO NOT OPERATE THE PUMP WITHOUT OIL.

Clockwise rotation PTO requires
counter-clockwise rotation pump



Counter-clockwise rotation PTO requires
clockwise rotation pump

