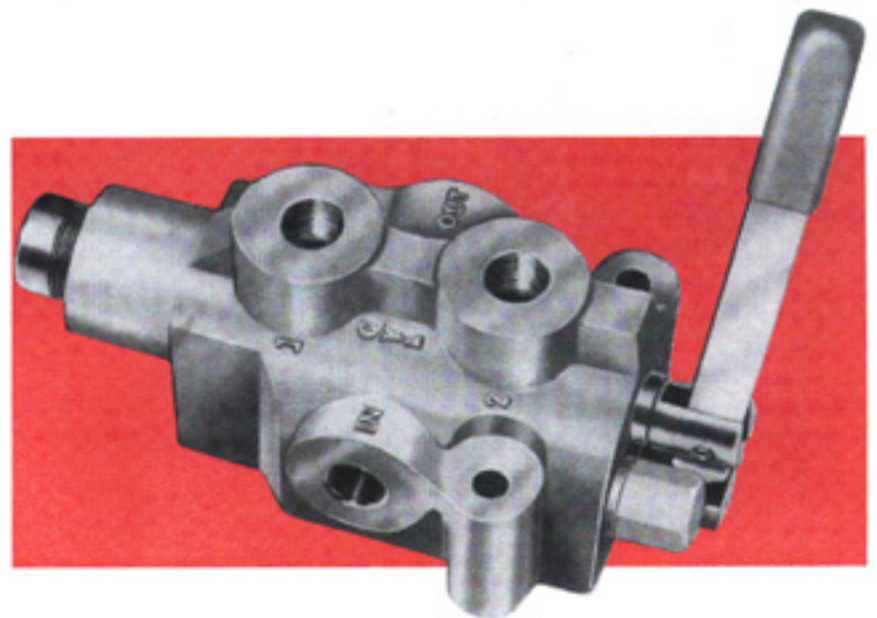


# Williams®

# HYDRAULIC CONTROL VALVES

Pressures to 4500 PSI

**T**hese single acting 3-Way and double acting 4-Way valves are machined from a solid casting (no core) for extra high pressure operation. All valves feature ground and chromed spools that are hone fitted to the bodies. The spools are pressure balanced for smooth, positive valve action. Valves are available with optional external adjustable relief valves rated for maximum 3000 PSI service. Spool control options are three position detent or three position spring centered. Valves may be used for series operation.



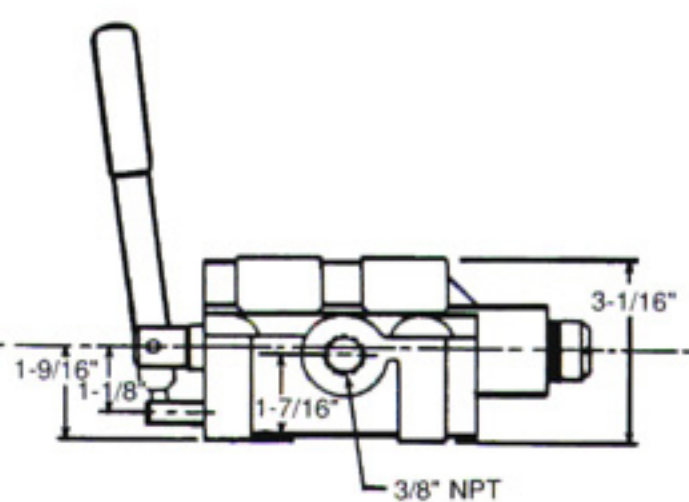
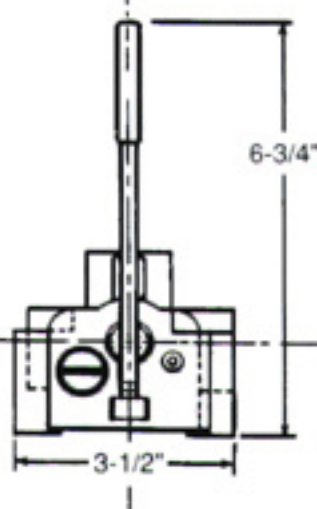
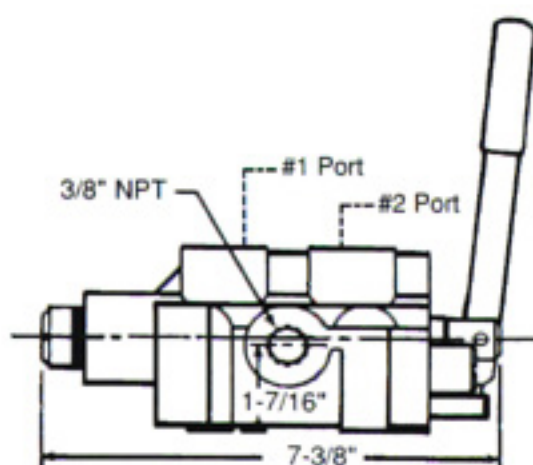
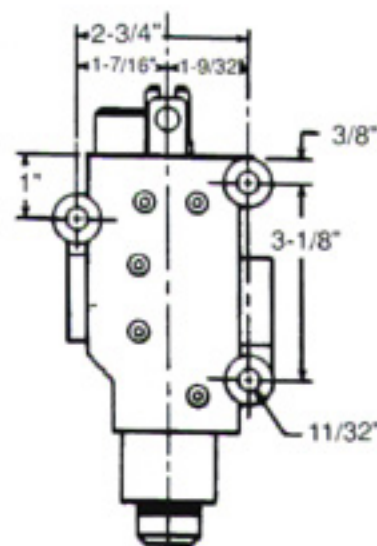
## SPECIFICATIONS

- **Pressure Rating:** 4500 PSI (with external relief)
- 3000 PSI (with internal relief)
- **Flow Capacity:** 6 GPM
- **Port Sizes:** 3/8 Inch NPTF
- **Weight:** 8 Lbs.

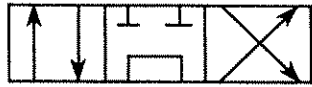
## OPTIONS

- Model 1000:** 3-Way Single Acting
- Model 2000:** 4-Way Double Acting
- Center Condition:** Tandem center, closed center or open center
- Spool Types:** Closed cross over, open cross over, or free float
- Relief Valve:** Adjustable relief rated for 3000 PSI maximum.

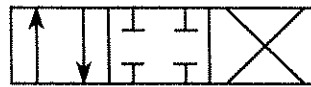
## DIMENSIONS



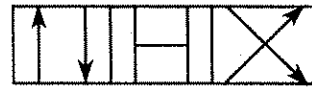
## SPOOL CONFIGURATIONS



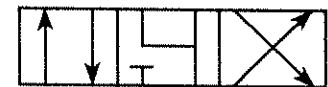
4-Way, Tandem Center



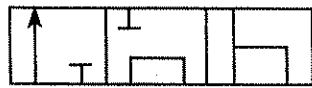
4-Way, Closed Center



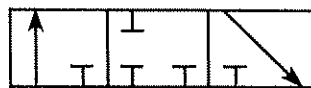
4-Way, Open Center Float



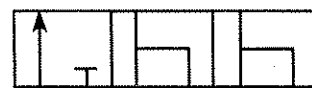
4-Way, Closed Center Float



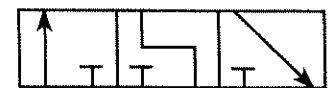
3-Way, Tandem Center



3-Way, Closed Center



3-Way, Open Center Float



3-Way, Closed Center Float

## MODEL DESIGNATIONS

SERIES	PORT SIZE	CENTER CONDITION	VALVE LEVER	SPOOL TYPE	SPOOL CONTROL	PRESSURE CONTROL
2 = 2000 Double Acting 4-Way	3 = 3/8 NPT	T = Tandem Center	H = Hand Level	X = Closed Cross Over	S = Spring Centered	N = Without Relief (Locked Down)
1 = 1000 Single Acting 3-Way		C = Closed Center	W = No Lever	E = Open Cross Over	D = Detent 3-Position	R = Adj Relief (max 3000 psi) (max 6 gpm)
		O = Open Center		F = Free Float		

**Williams** MACHINE & TOOL

204 Plastic Lane • Monticello, IA 52310-9472 USA

Telephone: (319) 465-3537 • Fax: (319) 465-5279 • E-mail: sales@energymfg.com • Web site: www.williamsmachineandtool.com