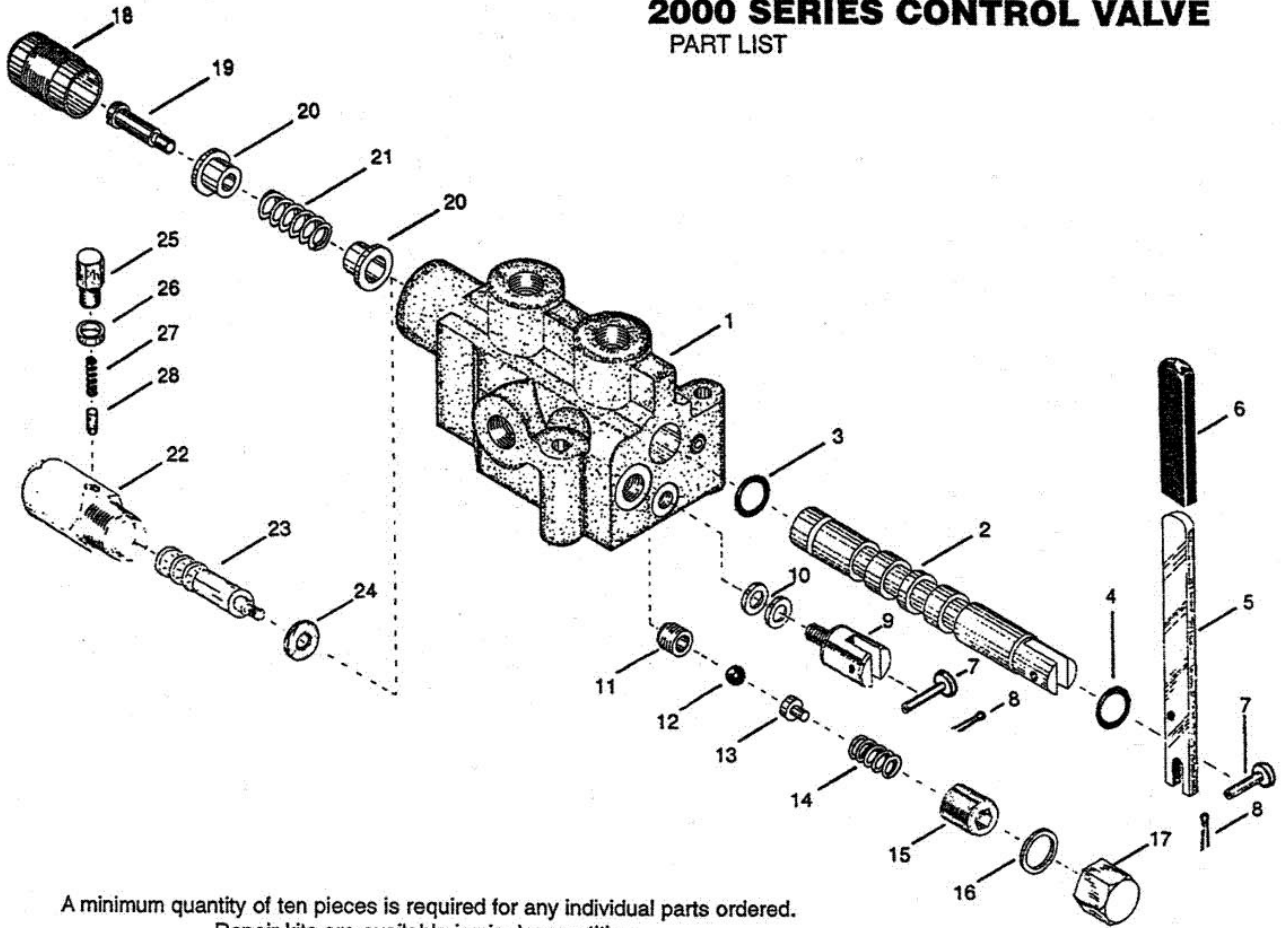


2000 SERIES CONTROL VALVE PART LIST



A minimum quantity of ten pieces is required for any individual parts ordered.
Repair kits are available in single quantities.

Drg. No.	Part No.	No. Req.	Part Description	Price	Drg. No.	Part No.	No. Req.	Part Description	Price
1	1156	1	Casting, Body (Not sold separately)		15	1051	1	Screw, Adju.	
2	1157	1	Spool, 4-way		16	1277	1	Washer	
3	1170	1	O-ring, Spool		17	1164	1	Cap, Relief	
4	1171	1	O-ring, Casting		1313 SPRING CENTERED ASSEMBLY KIT				
1348 LEVER ASSEMBLY KIT					18	1160	1	Cap	
5	1326	1	Lever		19	1162	1	Bolt, Shoulder	
6	1183	1	Knob		20	1161	2	Stop, Spool	ea.
7	1344	2	Pin	ea.	21	1163	1	Spring	
8	1347	2	Cotter	ea.	1314 THREE POS. DETENT. ASSM. KIT				
9	1325	1	Pivot Clevis		22	1184	1	Cap, Detent	
10	1327	2	Washer	ea.	23	1346	1	Bolt, Detent	
1349 RELIEF ASSEMBLY KIT					24	1186	1	Stop, Spool	
11	1169	1	Seat		25	1188	1	Cap, Point	
12	1168	1	Ball		26	1190	1	Washer	
13	1167	1	Socket, Ball		27	1187	1	Spring	
14	1166	1	Spring		28	1189	1	Point	

Williams
MACHINE & TOOL