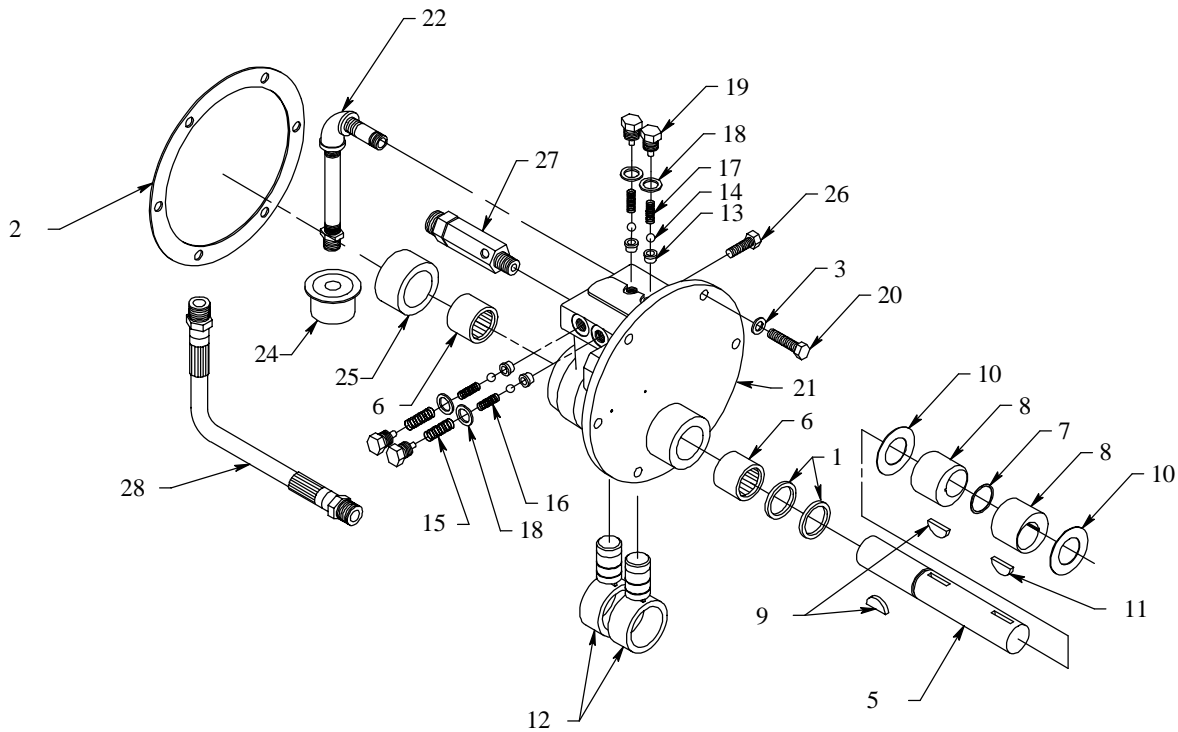


MODEL 20 PUMP PARTS LIST



NO.	PART NO.	QTY. REQ.	PART DESCRIPTION	NO.	PART NO.	QTY. REQ.	PART DESCRIPTION
	1433		SEAL KIT	18	1009	4	WASHER
1	1028	2	OIL SEAL	19	1008	4	PORT STUD
2	1012	1	PUMP GASKET				REMAINING PUMP PARTS
3	1030	6	ALUMINUM WASHER	20	1035	6	CAP SCREWS
	1430		SHAFT AND BEARING KIT	21	1059		PUMP CASTING (Not Sold Separately)
5	1002	1	SHAFT	22	1664	1	INTAKE PIPE
6	1023	2	NEEDLE BEARING	24	2664	1	INTAKE SCREEN
7	29466A	1	SPIROLOX RING	25	1033	1	REAR BEARING HOUSING
8	1004	2	ECCENTRICS	26	1040	1	HOUSING SET SCREW & NUT
9	1026	2	KEY, ECCENTRIC	27	1060	1	RELIEF VALVE (SPECIFY PUMP MODEL, SERIAL#, PRESS. & RPM)
10	1055	3	NYLON THRUST WASHER	28	--		HOSE - SPECIFY RESERVOIR SIZE WHEN ORDERING
11	1027	1	KEY				
	1431		PISTON and CONNECTING ROD KIT				
12	1006	2	PISTON and ROD ASSEMBLY				
	1432		INTAKE and EXHAUST VALVE KIT				
13	1043	4	SEAT				
14	1015	4	BALL				
15	1041	2	CAGE SPRING				
16	2264	2	EXHAUST SPRING				
17	1016	2	INTAKE SPRING				

NOTE: LETTER CODE INDICATES RELIEF PRESS. SETTING AND IS LOCATED ON REAR MAIN BEARING HOUSING. NEW VALVE GASKETS ARE RECOMMENDED WHEN REPLACING PUMP. THE PUMP MODEL # AND SERIAL # ARE LOCATED ON FRONT OF PUMP.