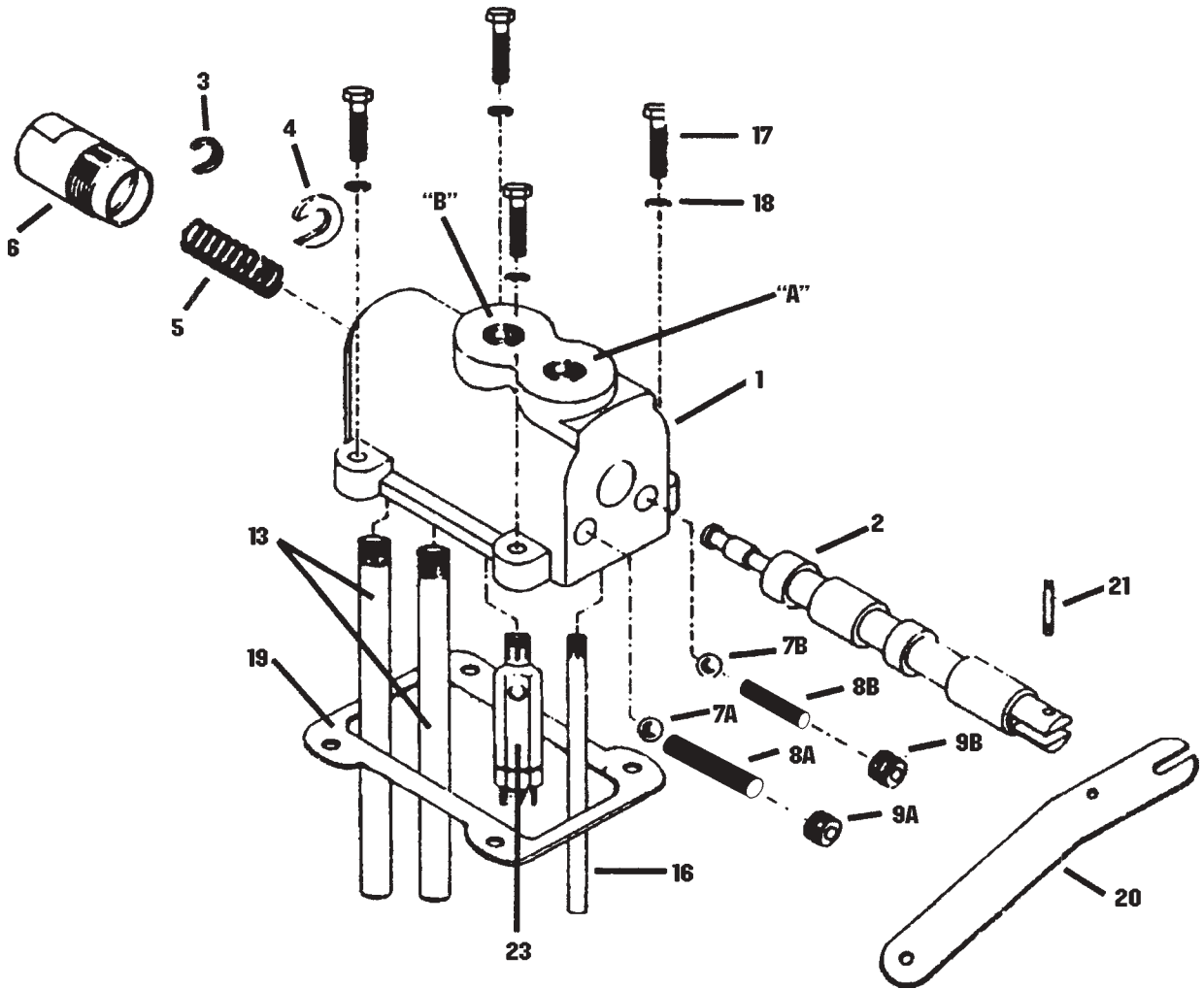


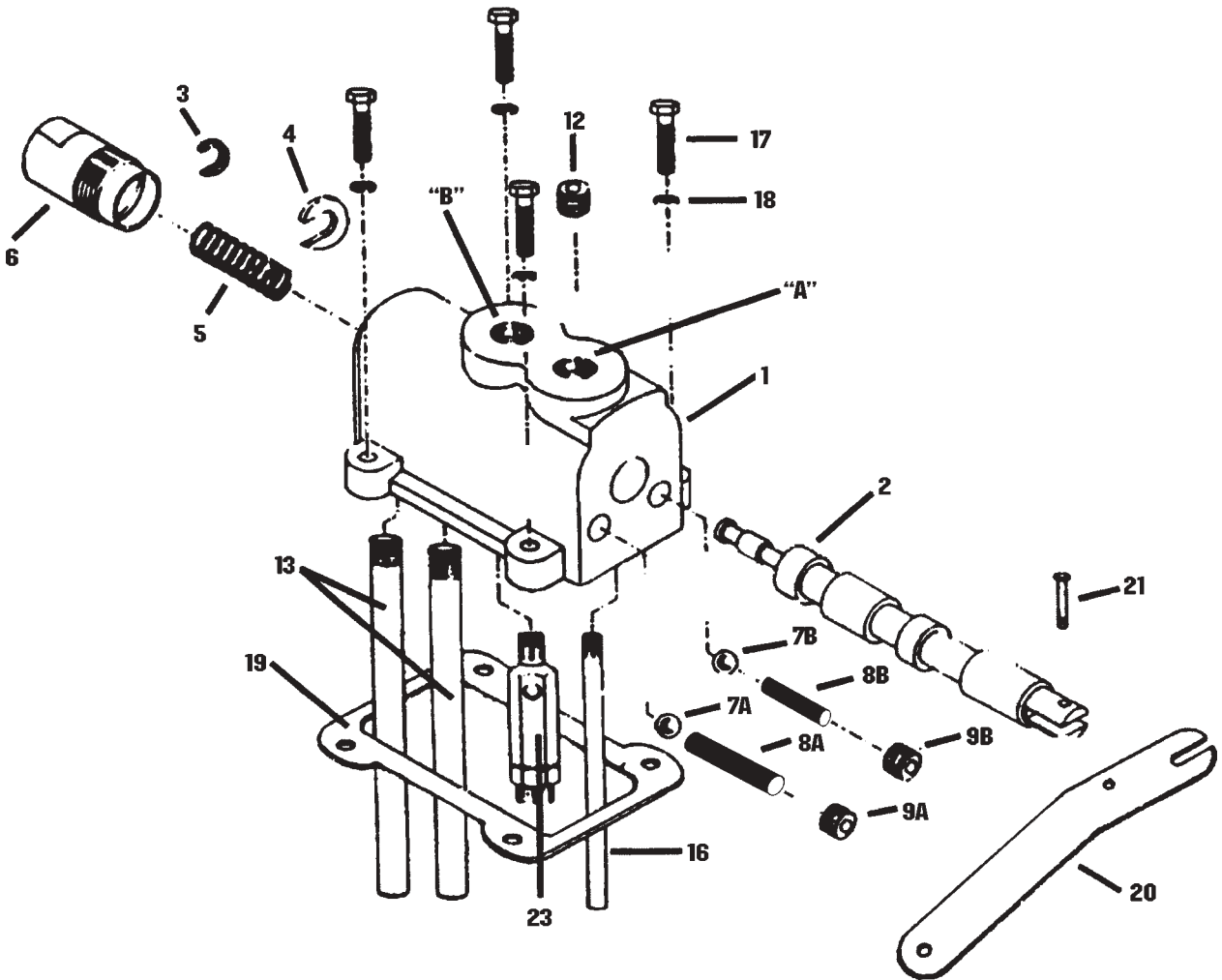
# NO. 6 LOAD CHECK CONTROL VALVE (4-Way Double Acting)



Drg. No.	Part No.	No. Req.	Part Description	Drg. No.	Part No.	No. Req.	Part Description
A			Low Pressure Port	13	1105	1	Pipe, Oil Return
B			High Pressure Port	16	1228	1	Pipe, Flo-By, 1/8 NPT x 6" (15.2cm)
1	2153	1	Casting (Not Sold Separately)	17	1035	4	Cap Screw
2	1210	1	Spool (Not Sold Separately)	18	1030	4	Washer
3	1020	1	Key, Spool Stop 3/4" (19.1mm)	19	1214	1	Gasket
4	1213	1	Key, Spool Stop 7/8" (22.2mm)	20	1219	1	Lever
5	1021	1	Spring, Centering	21	1182	1	Pin, Lever
6	1212	1	Cap, Spool	23	2663	1	Relief Cartridge ("C" or "R")
7A	1217	1	Ball, Load Check				
7B	1217	1	Ball, Re-cycle Check				
8A	3082	1	Spacer, Load Check				
8B	3083	1	Spacer, Re-cycle Check				
9A	2387	1	Plug, Load Check				
9B	2387	1	Plug, Re-cycle Check				

Specify \_\_\_\_\_ PSI AT \_\_\_\_\_ RPM  
GPM  
Pump Model No. \_\_\_\_\_ Serial No. \_\_\_\_\_

# NO. 7 LOAD CHECK CONTROL VALVE (3-Way Single Acting)

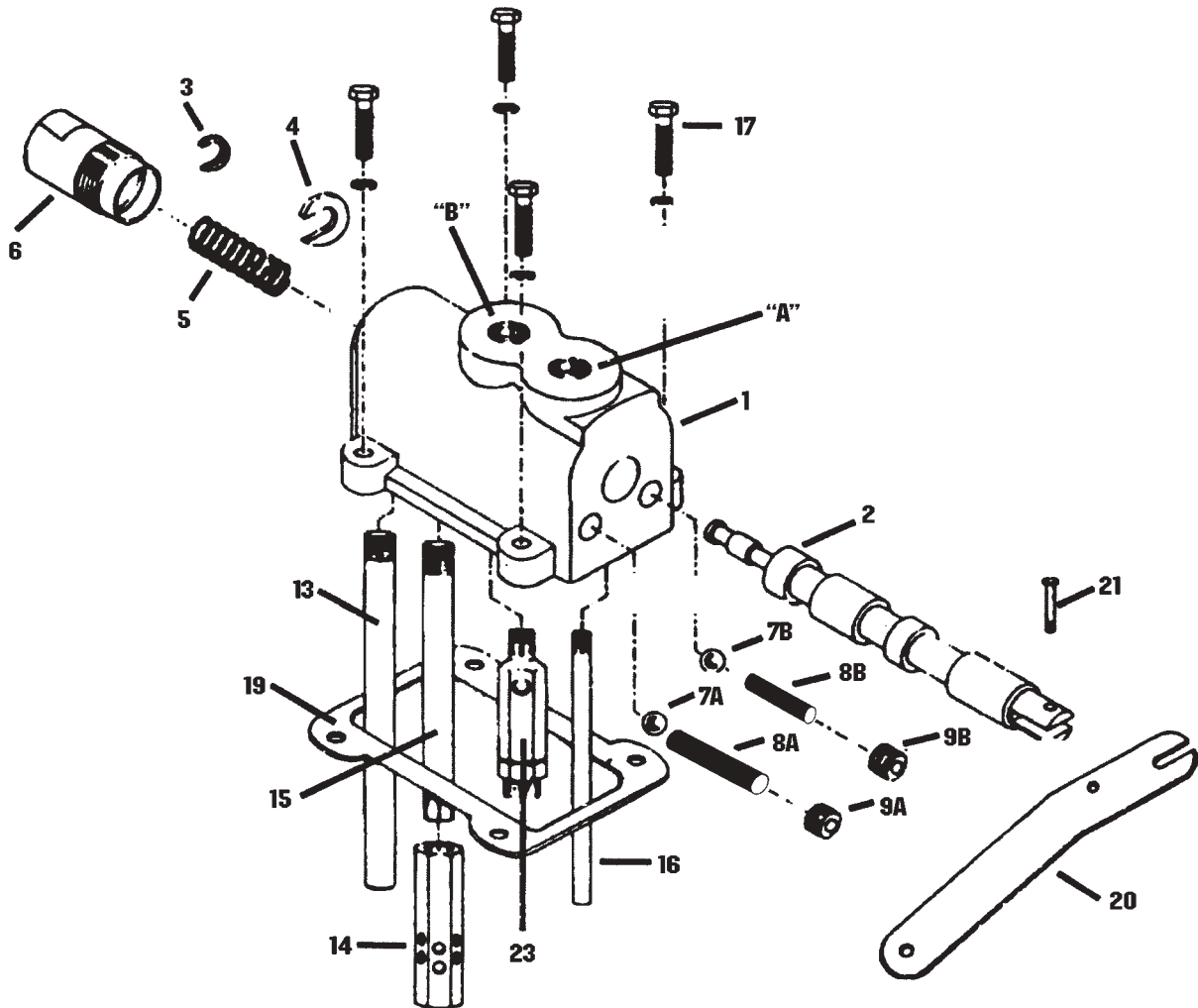


Drg. No.	Part No.	No. Req.	Part Description	Drg. No.	Part No.	No. Req.	Part Description
A			Low Pressure Port	12	1221	1	Plug
B			High Pressure Port	13	1105	1	Pipe, Oil Return
1	2153	1	Casting (Not Sold Separately)	16	1220	1	Pipe, Flo-By, 1/4 NPT x 6" (15.2cm)
2	1210	1	Spool (Not Sold Separately)	17	1035	4	Cap Screw
3	1020	1	Key, Spool Stop 3/4" (19.1mm)	18	1030	4	Washer
4	1213	1	Key, Spool Stop 7/8" (22.2mm)	19	1214	1	Gasket
5	1021	1	Spring, Centering	20	1219	1	Lever
6	1212	1	Cap, Spool	21	1182	1	Pin, Lever
7A	1217	1	Ball, Load Check	23	2663	1	Relief Cartridge ("R")
7B	1217	1	Ball, Re-cycle Check				
8A	3082	1	Spacer, Load Check				
8B	3083	1	Spacer, Re-cycle Check				
9A	2387	1	Plug, Load Check				
9B	2387	1	Plug, Re-cycle Check				

Specify \_\_\_\_\_ PSI AT \_\_\_\_\_ RPM  
 GPM  
 Pump Model No. \_\_\_\_\_ Serial No. \_\_\_\_\_

# NO. 8 RE-CYCLE CONTROL VALVE

## (4-Way Double Acting - Load Check)



Drg. No.	Part No.	No. Req.	Part Description	Drg. No.	Part No.	No. Req.	Part Description
A			Low Pressure Port	13	1105	1	Pipe, Oil Return
B			High Pressure Port	14	2308	1	Variable Restrictor Assm.
1	2153	1	Casting (Not Sold Separately)	15	1230	1	Pipe Nipple
2	1210	1	Spool (Not Sold Separately)	16	1228	1	Pipe, Flo-By, 1/8 NPT x 6" (15.2cm)
3	1020		Key, Spool Stop 3/4" (19.1mm)	17	1035	4	Cap Screw
4	1213	1	Key, Spool Stop 7/8" (22.2mm)	18	1030	4	Washer
5	1021	1	Spring, Centering	19	1214	1	Gasket
6	1212	1	Cap, Spool	20	1219	1	Lever
7A	1217	1	Ball, Load Check	21	1182	1	Pin, Lever
7B	1217	1	Ball, Re-cycle Check	23	2663		Relief Cartridge ("C")
8A	3082	1	Spacer, Load Check				
8B	3083	1	Spacer, Re-cycle Check				
9A	2387		Plug, Load Check				
9B	2387	1	Plug, Re-cycle Check				

Specify \_\_\_\_\_ PSI AT \_\_\_\_\_ RPM  
 GPM  
 Pump Model No. \_\_\_\_\_ Serial No. \_\_\_\_\_